

The Kramer T6F-23 inner frame

Congratulations on purchasing your Kramer **T6F-23** inner frame for the **TBUS-6xl** Table Connection bus.

The **T6F-23** inner frame includes:

- 2 openings for 2 power sockets
- 1 pass-through opening
- 2 blank inserts

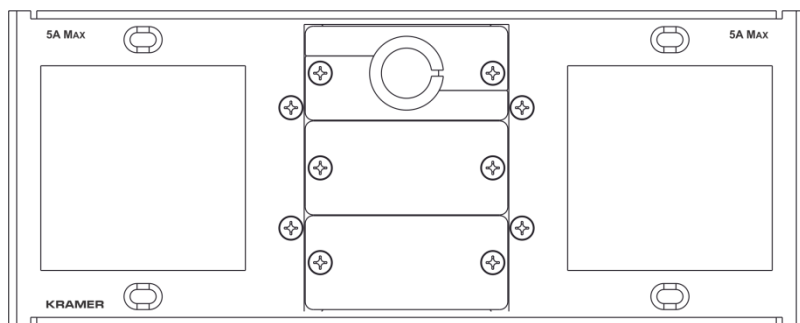


Figure 1: T6F-23 inner frame (P/N: 80-004499)

Power Socket and Power Cord Options

Various power sockets and power cords are available to use with the **T6F-23**, as described in the “TBUS Modular Power Socket Installation and Power Cord” Installation Instructions, supplied with the power socket.



Each power socket comes with detailed assembly instructions.

The T-2INSERT Kit Option (80-00006699)

You can install the **T-2INSERT** kit (which includes 1 pass-through insert and a blank insert) instead of a power socket.

Mounting the Inserts



Go to http://www.kramerelectronics.com/support/product_downloads.asp to check for up-to-date user manuals and the complete list of Kramer wall plates and module connectors.

You can rearrange or remove any of the plates mounted on the inner frame and replace them with Kramer passive wall plates or connector modules for interfacing A/V type signals.

To mount a Kramer insert or connector module:

1. Unscrew the two screws that fasten the blank plate to the inner frame and remove the blank plate.
2. Place the required Kramer insert over the opening, insert the two screws to fix the Kramer insert in place, and tighten them.

Installing the Assembled Inner Frame

To install the **T6F-23** inner frame:

1. Place the assembled inner frame inside the **TBUS-6xl** enclosure.
2. Set the required height using your fingers to bring the inner frame to the desired position, screw and tighten it in place using the height adjustment screws supplied with the inner frame.

Connecting the Cables

When replacing blank inserts with connector inserts (for example, VGA, audio, HDMI and so on):

1. Insert the cables to their appropriate connectors from underneath.
2. Secure the cables to the tie holes on the **TBUS-6xl**. Do not secure the cables too tightly or too loosely. Leave a small amount of slack.

After the **TBUS-6xl** is connected to mains power and the proper cables, it is ready for use.

Inserting Pass-through Cables

To insert the pass-through cables, for example, to connect a laptop, do the following (see [Figure 1](#)):

1. Remove the two screws attaching the split pass-through bracket.
2. Remove the split grommet.
3. Insert the cable through the rectangular opening.
4. Open the split grommet slightly and insert the required cables.
5. Place the split bracket around the grommet and position this assembly over the Inner Frame.
6. Place the two screws appropriately and tighten the split bracket together with the grommet and inserted cables to the inner frame.
7. Insert the self-locking ties through the tie holes to secure the cables to the inside walls of the enclosure.

Adjusting the Height of the Inner Frame

If needed, you can adjust the inner frame height to accommodate large or bulky cables. To adjust, perform the following:

1. Remove the height adjustment screws, while supporting the frame from underneath with your fingers.
2. Raise or lower the connecting surface to the required height, insert the screws, and tighten them in place.



KRAMER ELECTRONICS LTD.

Installation Instructions

MODEL:

T6F-23
inner frame

For the latest information on our products and a list of Kramer distributors, visit our Web site where updates to these installation instructions may be found.

We welcome your questions, comments, and feedback.
Web site: www.kramerelectronics.com
E-mail: info@kramerel.com



SAFETY WARNING

Disconnect the unit from the power supply before opening and servicing

P/N: 2900-300075 Rev 3



P/N: 2900-300075



Rev: 3