



KRAMER ELECTRONICS LTD.

USER MANUAL

MODEL:

SPK-W611

Multipurpose Speakers

P/N: 2900-300116 Rev 2

Contents

1	Introduction	1
2	Getting Started	2
2.1	Achieving the Best Performance	2
3	Overview	3
3.1	Defining the SPK-W611	3
4	Choosing the Best Location	4
5	Installing the SPK-W611	5
5.1	Preparing for Installation	5
5.2	Installing the Speaker Wires	5
5.3	Installing the Mounting Bracket	7
5.4	Painting the Speakers	9
6	Technical Specifications	11

Figures

Figure 1:	SPK-W611	3
Figure 2:	Installing the Speaker Wires	6
Figure 3:	Preparing the Paint Masks	10

1 Introduction

Welcome to Kramer Electronics! Since 1981, Kramer Electronics has been providing a world of unique, creative, and affordable solutions to the vast range of problems that confront the video, audio, presentation, and broadcasting professional on a daily basis. In recent years, we have redesigned and upgraded most of our line, making the best even better!

Our 1,000-plus different models now appear in 11 groups that are clearly defined by function: GROUP 1: Distribution Amplifiers; GROUP 2: Switchers and Matrix Switchers; GROUP 3: Control Systems; GROUP 4: Format/Standards Converters; GROUP 5: Range Extenders and Repeaters; GROUP 6: Specialty AV Products; GROUP 7: Scan Converters and Scalers; GROUP 8: Cables and Connectors; GROUP 9: Room Connectivity; GROUP 10: Accessories and Rack Adapters and GROUP 11: Sierra Products.

Congratulations on purchasing your Kramer **SPK-W611** *Multipurpose Speakers*, which are ideal for:

- Home theater sound systems
- Multimedia systems

The package includes:

- **SPK-W611** *Multipurpose Speakers*
- Mounting brackets with knobs
- This user manual

2 Getting Started

We recommend that you:

- Unpack the equipment carefully and save the original box and packaging materials for possible future shipment
- Review the contents of this user manual
- Use Kramer high performance high resolution cables



Go to <http://www.kramerelectronics.com> to check for up-to-date user manuals, application programs, and to check if firmware upgrades are available (where appropriate).

2.1 Achieving the Best Performance

To achieve the best performance:

- Use only good quality connection cables (such as the Kramer **BC-2S** cable) to avoid interference, deterioration in signal quality due to poor matching, and elevated noise levels (often associated with low quality cables)
- Avoid interference from neighboring electrical appliances that may adversely influence signal quality
- Position your Kramer Speakers away from moisture, excessive sunlight and dust

3 Overview

The **SPK-W611** includes a pair of high performance speakers that can be mounted on the wall vertically or horizontally. The mounting brackets are made of hardened steel that can be attached to each speaker, letting you rotate each speaker to the left or right.

3.1 Defining the SPK-W611

This section defines the **SPK-W611**:

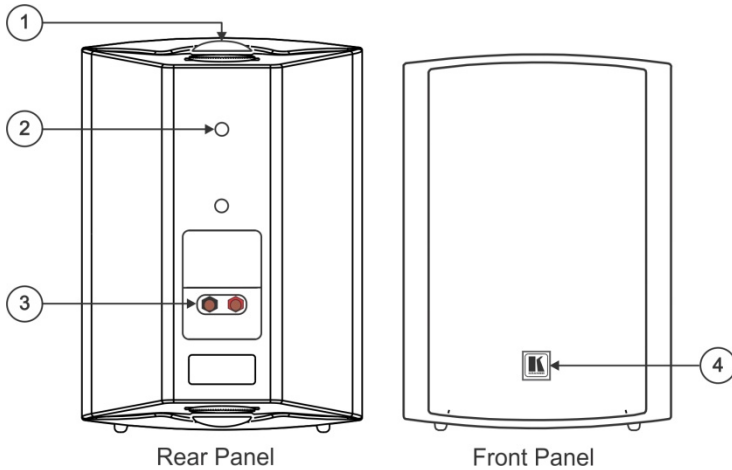


Figure 1: SPK-W611

#	Feature	Function	
1	Bracket Knob (2)	For fastening the wall bracket to the speaker	
2	Mounting Holes (2)	Optional mounting holes for attaching to a mounting device without using the mounting brackets	
3	Screw Type Input Port	Negative (black)	Connect to the negative stereo analog audio output of the amplifier
		Positive (red)	Connect to the positive stereo analog audio output of the amplifier
4	Kramer Logo	Gently pull the spring-loaded logo to set it to the horizontal position if the speakers are mounted horizontally	

4 Choosing the Best Location

Before installing the speakers:

- Experiment by placing the speakers in different locations before finally deciding on the most suitable location.
For achieving the best sound, it is recommended to space them at least 6 feet apart, and aim them towards the listening area
- Be sure that the wall type is appropriate for the mounting brackets, that is, either solid wood, bricks, concrete, hollow building blocks, gypsum (only if it is properly prepared) or wood studs
- Check that the mounting location is free of obstructions, such as electrical piping, heat sources, AC ducts or water lines, and so on
- Hold the speaker in the chosen location to verify that it is not interfered by obstacles such as adjacent walls, window or door frames, beams, lighting fixtures and so on



Each bracket is specifically designed to hold the weight of the speaker.

Do not hang anything from the bracket other than the speaker, and do not place any item(s) on top of the speaker.

5 Installing the SPK-W611

Before installing the speakers, you can paint them to match the surrounding furnishings (see [Section 5.4](#)). If you choose not to paint the speakers, you can install them directly.

This section explains how to:

- Prepare for installation (see [Section 5.1](#))
- Install the speaker wires (see [Section 5.2](#))
- Install the mounting brackets (see [Section 5.3](#))
- Paint the speakers, if required (see [Section 5.4](#))

5.1 Preparing for Installation

Before installing the speakers, check that you have all the required tools:

- A Philips-head (#2) screwdriver
- A power drill
- Eye and ear protection and a dust mask
- A 2.5mm (0.1") wood bit or a 6mm (0.24") masonry bit

5.2 Installing the Speaker Wires

To install the wires, do the following:

1. Make sure that the amplifier power is OFF.
2. Prepare the wires for the speakers:
 - Use two stranded speaker wires (it is recommended to use the Kramer **BC-2S** cables) of similar length for achieving high quality sound
 - Measure the length from each speaker to the amplifier, and add some access wire length to easily remove the speakers from the bracket without having to disconnect the input wires
3. Prepare the mounting bracket installation (see section [5.3.1](#)).

- Strip the ends of the wires approximately 1/2 inch.
- Pass the wires from the location of the amplifier to the speaker location.



If the speaker wires are run inside the wall, pass the wires from the amplifier into the wall and out the hole in the wall where the speaker is to be installed.

- Pass the speaker wires through the round hole in the mounting bracket (see [Figure 2](#)).

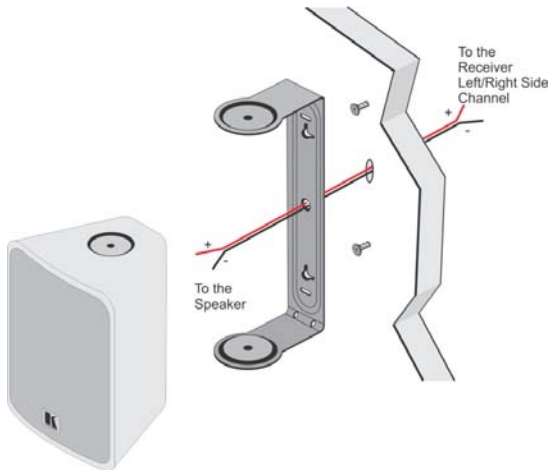


Figure 2: Installing the Speaker Wires

- Connect the left side speaker to the left side channel of the amplifier and the right side speaker to the right side channel of the amplifier:
 - Unscrew the negative (black) screw-type connector on the rear panel of the speaker, insert the wire from the negative terminal on the amplifier, and retighten.
Take care not to insert the insulated part of the wire into the screw-type connector
 - Unscrew the positive (red) screw-type connector on the rear panel of the speaker, insert the wire from the positive terminal on the amplifier, and retighten.
Take care not to insert the insulated part of the wire into the screw-type connector

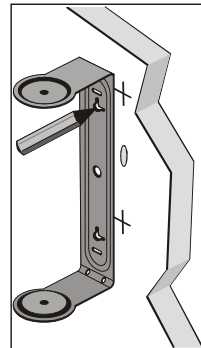
8. Once the speakers are connected to the amplifier, test the connection:
 - Set the balance control on the amplifier to normal
 - Play some music with deep bass passages
 - Listen if the sound comes from both speakers and check if the bass sounds full and natural
 - If not, recheck the connections (+ to + and - to -)
9. Attach the brackets to the speakers (see [Section 5.3.2](#)).

5.3 Installing the Mounting Bracket

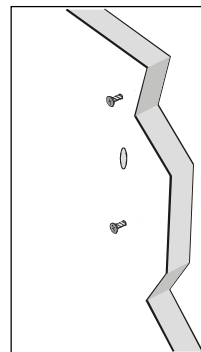
5.3.1 Installing the Mounting Bracket onto the Wall

To install the bracket onto the wall, do the following:

1. Place the bracket so that the narrow edges of the keyhole slots face upwards and mark the location of the two mounting holes (use the bracket as a template).



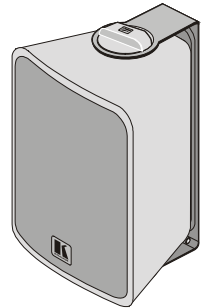
2. If you are mounting the speaker on a wall stud, insert the appropriate size screws through the wall and into the stud. If you are mounting it on the wall, use wall anchors. Leave the screw heads protruding just a bit so the speaker can hang on them.



5.3.2 Installing the Speakers to the Bracket

To install the speakers to the bracket, do the following:

1. Screw the bracket to the speaker using the bracket knob (remove the knobs and then screw them back to the speaker after placing the bracket).

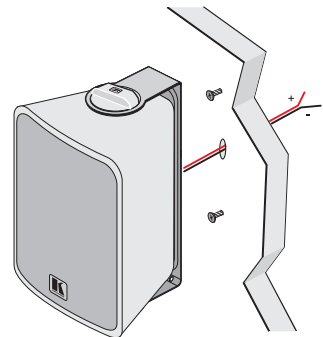


2. Align the bracket with the attached speaker to the inserted screws and hang it, letting the screwhead slip into the narrow side of the keyhole opening (in the same way you can also hang the speakers horizontally).

Check, by gently pulling the speakers, that the speakers are sitting well on the mounting screws and tighten them if required.

Check that the speakers are well aligned against the wall, and tighten if necessary.

3. Loosen the bracket knobs slightly to set the speaker in the desired angle and then retighten.



5.4 Painting the Speakers

To paint the speakers so that they match the surrounding area, you need to prepare the following:

- A spray can of primer paint
- A spray can of paint
- A paperclip or corkscrew for removing the grille
- Masking tape
- A paint mask (see [Figure 3](#))

Remove the following parts of the speaker:

- The brackets and bracket knobs
- The grille gently, using a bent paper clip

Mask:

- The input port area
- The bracket knob openings and end panels
- The grille area

Prepare the masks by cutting heavy nonporous paper in the shape of the areas you want to mask. For example, use the grille as a template for the speaker front panel (see [Figure 3](#)).



Figure 3: Preparing the Paint Masks

Use primer paint on the cabinet and bracket knobs. When these are dry you can apply the paint on these, as well as the bracket and grille.

Painting the grille:

When painting the grille (in two layers), you can either cover the logo on the grille or paint over it. It is best to spray paint the grille using either a spray can or a spray gun with a compressor set to the finest spray diameter.

6 Technical Specifications

TYPE:	2-way speaker
FREQUENCY RESPONSE:	45Hz to 20kHz
WOOFER:	6.5" (165mm) Polypropylene cone, rubber surround
TWEETER:	1"(25mm) silk dome
CROSSOVER:	With 12dB/octave
CROSSOVER FREQUENCY:	4.3kHz
SENSITIVITY:	88dB (2.83V @1 meter)
FREE AIR RESONANT FREQUENCY:	55Hz
NOMINAL IMPEDANCE:	6 Ω
POWER HANDLING:	40Watts RMS to Max 80 Watts (IPP) Power handling is based on the amplifier volume never being set above the point of audible distortion
DIMENSIONS (including bracket):	21.5cm x 23cm x 29.5cm (8.5" x 9.1" x 11.6"), W, D, H
WEIGHT:	One speaker: 2.6kg (5.7lbs) approx. Shipping weight: (for pair): 5.6kg (12.3lbs) approx.
ACCESSORIES:	Two mounting brackets (fixed and rotating)
Specifications are subject to change without notice at http://www.kramerelectronics.com	

LIMITED WARRANTY

The warranty obligations of Kramer Electronics for this product are limited to the terms set forth below:

What is Covered

This limited warranty covers defects in materials and workmanship in this product.

What is Not Covered

This limited warranty does not cover any damage, deterioration or malfunction resulting from any alteration, modification, improper or unreasonable use or maintenance, misuse, abuse, accident, neglect, exposure to excess moisture, fire, improper packing and shipping (such claims must be presented to the carrier), lightning, power surges, or other acts of nature. This limited warranty does not cover any damage, deterioration or malfunction resulting from the installation or removal of this product from any installation, any unauthorized tampering with this product, any repairs attempted by anyone unauthorized by Kramer Electronics to make such repairs, or any other cause which does not relate directly to a defect in materials and/or workmanship of this product. This limited warranty does not cover cartons, equipment enclosures, cables or accessories used in conjunction with this product.

Without limiting any other exclusion herein, Kramer Electronics does not warrant that the product covered hereby, including, without limitation, the technology and/or integrated circuit(s) included in the product, will not become obsolete or that such items are or will remain compatible with any other product or technology with which the product may be used.

How Long Does this Coverage Last

One year as of this printing; please check our Web site for the most current and accurate warranty information.

Who is Covered

Only the original purchaser of this product is covered under this limited warranty. This limited warranty is not transferable to subsequent purchasers or owners of this product.

What Kramer Electronics will do

Kramer Electronics will, at its sole option, provide one of the following three remedies to whatever extent it shall deem necessary to satisfy a proper claim under this limited warranty:

1. Elect to repair or facilitate the repair of any defective parts within a reasonable period of time, free of any charge for the necessary parts and labor to complete the repair and restore this product to its proper operating condition. Kramer Electronics will also pay the shipping costs necessary to return this product once the repair is complete.
2. Replace this product with a direct replacement or with a similar product deemed by Kramer Electronics to perform substantially the same function as the original product.
3. Issue a refund of the original purchase price less depreciation to be determined based on the age of the product at the time remedy is sought under this limited warranty.

What Kramer Electronics will not do Under This Limited Warranty

If this product is returned to Kramer Electronics or the authorized dealer from which it was purchased or any other party authorized to repair Kramer Electronics products, this product must be insured during shipment, with the insurance and shipping charges prepaid by you. If this product is returned uninsured, you assume all risks of loss or damage during shipment. Kramer Electronics will not be responsible for any costs related to the removal or re-installation of this product from or into any installation. Kramer Electronics will not be responsible for any costs related to any setting up this product, any adjustment of user controls or any programming required for a specific installation of this product.

How to Obtain a Remedy under this Limited Warranty

To obtain a remedy under this limited warranty, you must contact either the authorized Kramer Electronics reseller from whom you purchased this product or the Kramer Electronics office nearest you. For a list of authorized Kramer Electronics resellers and/or Kramer Electronics authorized service providers, please visit our web site at www.kramerelectronics.com or contact the Kramer Electronics office nearest you.

In order to pursue any remedy under this limited warranty, you must possess an original, dated receipt as proof of purchase from an authorized Kramer Electronics reseller. If this product is returned under this limited warranty, a return authorization number, obtained from Kramer Electronics, will be required. You may also be directed to an authorized reseller or a person authorized by Kramer Electronics to repair the product.

If it is decided that this product should be returned directly to Kramer Electronics, this product should be properly packed, preferably in the original carton, for shipping. Cartons not bearing a return authorization number will be refused.

Limitation on Liability

THE MAXIMUM LIABILITY OF KRAMER ELECTRONICS UNDER THIS LIMITED WARRANTY SHALL NOT EXCEED THE ACTUAL PURCHASE PRICE PAID FOR THE PRODUCT. TO THE MAXIMUM EXTENT PERMITTED BY LAW, KRAMER ELECTRONICS IS NOT RESPONSIBLE FOR DIRECT, SPECIAL, INCIDENTAL OR CONSEQUENTIAL DAMAGES RESULTING FROM ANY BREACH OF WARRANTY OR CONDITION, OR UNDER ANY OTHER LEGAL THEORY. Some countries, districts or states do not allow the exclusion or limitation of relief, special, incidental, consequential or indirect damages, or the limitation of liability to specified amounts, so the above limitations or exclusions may not apply to you.

Exclusive Remedy

TO THE MAXIMUM EXTENT PERMITTED BY LAW, THIS LIMITED WARRANTY AND THE REMEDIES SET FORTH ABOVE ARE EXCLUSIVE AND IN LIEU OF ALL OTHER WARRANTIES, REMEDIES AND CONDITIONS, WHETHER ORAL OR WRITTEN, EXPRESS OR IMPLIED. TO THE MAXIMUM EXTENT PERMITTED BY LAW, KRAMER ELECTRONICS SPECIFICALLY DISCLAIMS ANY AND ALL IMPLIED WARRANTIES, INCLUDING, WITHOUT LIMITATION, WARRANTIES OF MERCHANTABILITY AND FITNESS FOR A PARTICULAR PURPOSE. IF KRAMER ELECTRONICS CANNOT LAWFULLY DISCLAIM OR EXCLUDE IMPLIED WARRANTIES UNDER APPLICABLE LAW, THEN ALL IMPLIED WARRANTIES COVERING THIS PRODUCT, INCLUDING WARRANTIES OF MERCHANTABILITY AND FITNESS FOR A PARTICULAR PURPOSE, SHALL APPLY TO THIS PRODUCT AS PROVIDED UNDER APPLICABLE LAW.

IF ANY PRODUCT TO WHICH THIS LIMITED WARRANTY APPLIES IS A "CONSUMER PRODUCT" UNDER THE MAGNUSON-MOSS WARRANTY ACT (15 U.S.C.A. §2301, ET SEQ.) OR OTHER APPLICABLE LAW, THE FOREGOING DISCLAIMER OF IMPLIED WARRANTIES SHALL NOT APPLY TO YOU, AND ALL IMPLIED WARRANTIES ON THIS PRODUCT, INCLUDING WARRANTIES OF MERCHANTABILITY AND FITNESS FOR THE PARTICULAR PURPOSE, SHALL APPLY AS PROVIDED UNDER APPLICABLE LAW.

Other Conditions

This limited warranty gives you specific legal rights, and you may have other rights which vary from country to country or state to state.

This limited warranty is void if (i) the label bearing the serial number of this product has been removed or defaced, (ii) the product is not distributed by Kramer Electronics or (iii) this product is not purchased from an authorized Kramer Electronics reseller. If you are unsure whether a reseller is an authorized Kramer Electronics reseller, please visit our Web site at www.kramerelectronics.com or contact a Kramer Electronics office from the list at the end of this document.

Your rights under this limited warranty are not diminished if you do not complete and return the product registration form or complete and submit the online product registration form. Kramer Electronics thanks you for purchasing a Kramer Electronics product. We hope it will give you years of satisfaction.



For the latest information on our products and a list of Kramer distributors, visit our Web site where updates to this user manual may be found.

We welcome your questions, comments, and feedback.

Web site: www.kramerelectronics.com

E-mail: info@kramerel.com



SAFETY WARNING

Disconnect the unit from the power supply before opening and servicing