

The Kramer RC-5B2 and RC-5B4 Dual Inserts

Congratulations on purchasing your Kramer **RC-5B2** and **RC-5B4** dual inserts with RGB buttons, which can be used as auxiliary controllers when connected via K-NET™ to a Master room controller (for example, the **SV-552 SummitView™ Processor / Switcher** or one of the Kramer SL series controllers).

K-NET is a proprietary Kramer protocol for communication between Kramer products.

The **RC-5B2** and **RC-5B4** packages include labels (P/N: 2808-300008) that are used as light diffusers and therefore need to be inserted inside each button (even to “blank” buttons).



This user manual is written for the end user. Refer to the separate **K-CONFIG** Configuration Guide (available online) for details of how to install and configure the Room Controller. The guide provides information about how to set up the system and is updated on a regular basis. For the latest online guide, go to <http://www.kramerelectronics.com/support/?soft=k-config>

Defining the RC-5B2 and RC-5B4 Dual Inserts

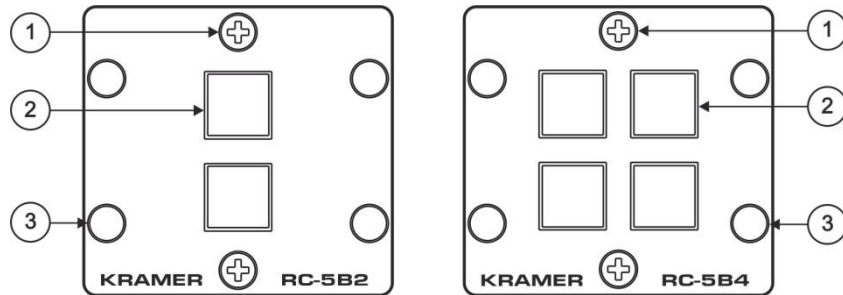


Figure 1: RC-5B2 and RC-5B4 Front Panel

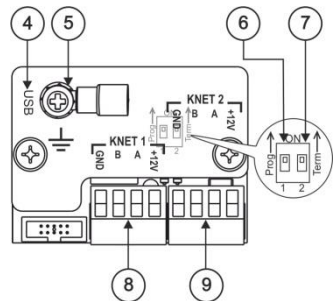


Figure 2: RC-5B2 and RC-5B4 Rear Panel

#	Feature	Function
1	2 Faceplate Screws	Remove to install labels
2	Front Panel Buttons	Two/four programmable, backlit buttons
3	4 Screw Holes	For installing the insert
4	USB Connector	Connect to a computer for firmware upgrade and for assigning a K-Net ID number
		When the unit is connected via K-NET to a Master Room Controller, you can upgrade the firmware via the USB or ETH ports of the Master Room Controller
5	Grounding Screw	Connect to grounding wire
6	Prog. Switch	For factory use (internal switch)
7	TERM Switch	Switch to ON for K-NET line termination (internal switch)
8	K-NET 1 Terminal Block	Connect each terminal to the relevant one on the Master K-Net unit or to another AUX unit.
9	K-NET 2 Terminal Block	

Overview

The **RC-5B2** and **RC-5B4** dual inserts are auxiliary remote control panels for Master Room Controllers for control of A/V equipment in a room.

The **RC-5B2** and **RC-5B4** dual inserts feature:

- Front panel, RGB backlit buttons: two for the **RC-5B2** and four for the **RC-5B4**
7 colors are available for backlit buttons (to be configured by the system integrator).
- Two K-NET ports and a USB serial port for setting the K-Net ID and for firmware upgrade

The **RC-5B2** and **RC-5B4** do not require a separate power supply.

Mounting the Kramer Insert

To mount a Kramer insert or connector module:

1. Place the Kramer insert over the opening.
2. Insert the four screws (two on each side) to fix the Kramer insert in place, and tighten them.

Grounding the RC-5B2 and RC-5B4

The grounding screw is used to earth the chassis of the unit to the ground of the building preventing static electricity from impacting on the performance of the unit.

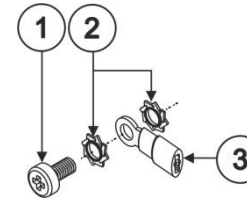


Figure 3: Grounding Connection Components

#	Component Description
1	M3X6 screw
2	1/8" Toothed Lock Washer
3	M3 Ring Tongue Terminal

To ground the RC-5B2 and RC-5B4:

1. Connect the Ring Tongue terminal to the building grounding point wire (it is recommended to use a green-yellow AWG#18 (0.82mm2) wire, crimped with a proper hand-tool).
2. Insert the M3x6 screw through the toothed lock washers and the tongue terminal in the order shown above.
3. Insert the M3x6 screw (with the two toothed lock washers and ring tongue terminal) into the grounding screw hole and tighten the screw.

To install the button caps and labels:

1. Unscrew the two faceplate screws and remove the faceplate.
2. Remove the button cap.
3. Remove the required labels from the supplied button label sheet.
4. Hold the button cap so that it is oriented as shown in [Figure 4](#) with the “wings” on the left and right sides.
5. Insert the label inside the cap

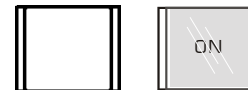


Figure 4: Button Cap Orientation Before and After the Insertion of a Label

6. Repeat for all caps.

7. Retaining the orientation, place the button caps on the buttons of the **RC-5B2 / RC-5B4**.
8. Place the faceplate on the **RC-5B2 / RC-5B4** so that the two screw mounting holes are aligned.
9. Insert the two mounting screws and tighten with a screwdriver.

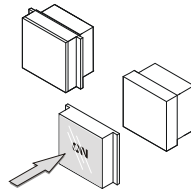


Figure 5: Placing the Button Cap



KRAMER ELECTRONICS LTD.

Installation Instructions

Using the RC-5B2 and RC-5B4 K-NET Auxiliary Control Panel

The installation process is not detailed in this user manual. This user manual is applicable once the unit is installed and configured (by authorized Kramer technical personnel or by an external system integrator), and includes:

- Setting up the labels on the buttons, according to your specific requirements
- Configuration of the Master room controller via the **K-Config Windows®**-based configuration software

Since the auxiliary panel is used as a remote controller for Master Room Controllers via the proprietary communication channel K-NET (as illustrated in [Figure 6](#)):

- It requires only a K-NET connection to the Master Room controller
- A power supply unit is **not** required
- The auxiliary panel can be programmed only via the Master Room controller (for example, the Kramer **SV-551 SummitView™ Processor/Switcher**)

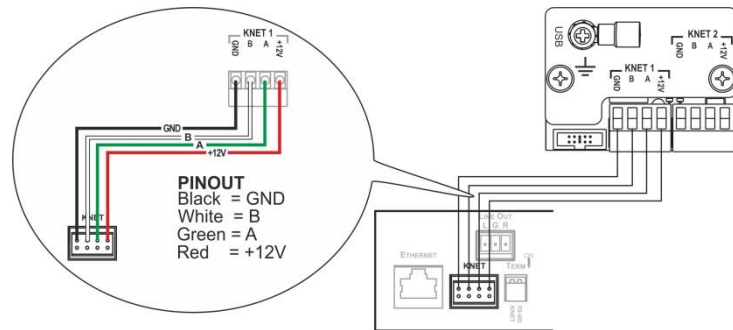


Figure 6: connected to the SV-551 SummitView™ Processor / Switcher

Technical Specifications

PORTS:	2 K-NET on terminal block connectors; 1 USB for programming
POWER CONSUMPTION:	12V DC, 40mA
OPERATING TEMPERATURE:	0° to +55°C (32° to 131°F)
STORAGE TEMPERATURE:	-45° to +72°C (-49° to 162°F)
HUMIDITY:	10% to 90%, RHL non-condensing
DIMENSIONS:	5cm x 2.4cm x 4.7cm (1.97" x 0.94" 1.85") W, D, H.
WEIGHT:	0.14kg (0.31lbs) approx.
Specifications are subject to change without notice Go to our Web site at http://www.kramerelectronics.com to access the list of resolutions	

MODELS:

RC-5B2 Dual Insert
K-NET™ Auxiliary Control Panel

RC-5B4 Dual Insert
K-NET™ Auxiliary Control Panel

For the latest information on our products and a list of Kramer distributors, visit our Web site where updates to these installation instructions may be found.

We welcome your questions, comments, and feedback.
Web site: www.kramerelectronics.com
E-mail: info@kramere.com



SAFETY WARNING

Disconnect the unit from the power supply before opening and servicing

P/N: 2900-300128 Rev 3



P/N: 2900-300128



Rev: 3