



Scan for full manual

RK-KVM-1U, RK-KVM-2U, RK-KVM-1U-FLANGE Quick Start Guide

This guide helps you install and use your **RK-KVM-1U, RK-KVM-2U, RK-KVM-1U-FLANGE** for the first time.

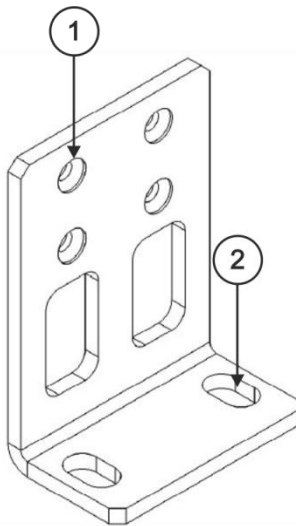
Go to <http://www.kramerav.com/downloads/RK-KVM-1U> to download the latest user manual.

Step 1: Check what's in the box

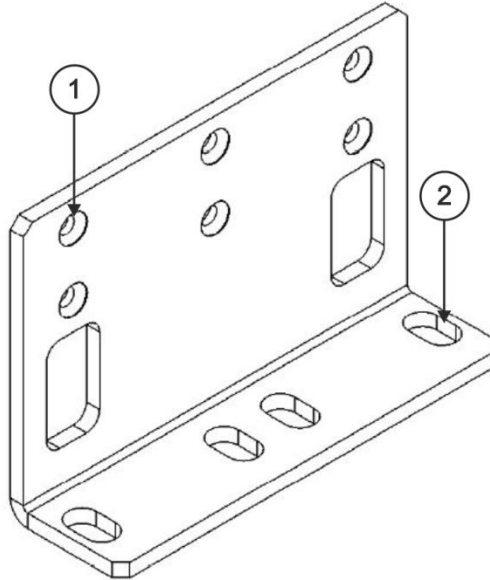
- ✓ 2 RK-KVM-1U, RK-KVM-2U, or
RK-KVM-1U-FLANGE
HighSecLabs rack mounting brackets
- ✓ 8 (RK-KVM-1U-FLANGE, RK-KVM-1U)/
12 (RK-KVM-2U) screws
- ✓ 1 Quick start guide

Step 2: Get to know your RK-KVM-1U, RK-KVM-2U, RK-KVM-1U-FLANGE

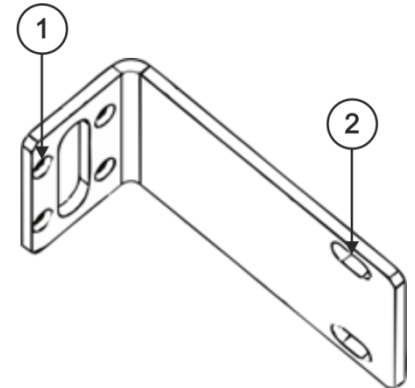
RK-KVM-1U



RK-KVM-2U



RK-KVM-1U-FLANGE

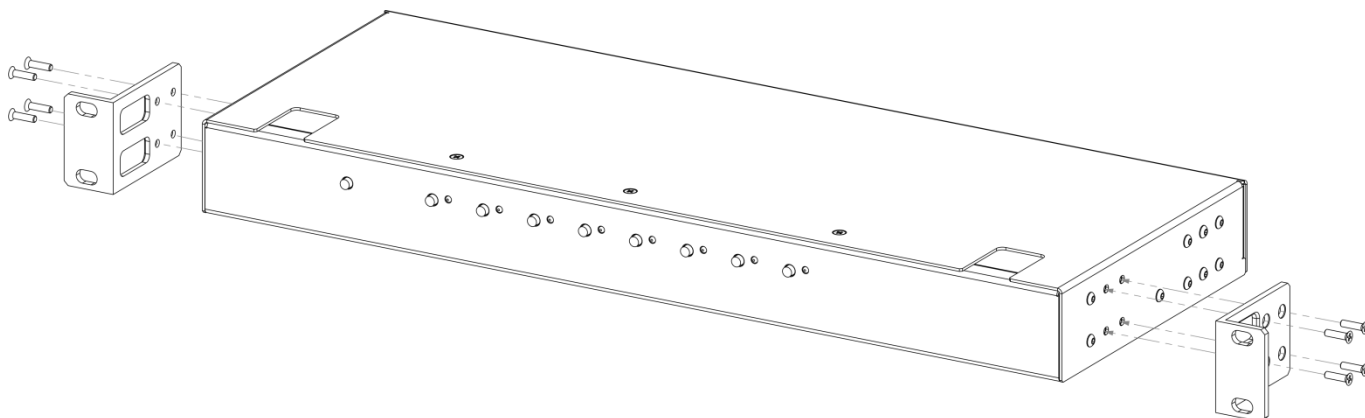


#	Feature	Function
1	Unit screw holes	Insert screws to attach the bracket to the unit.
2	Rack screw holes	Insert screws to attach the bracket to the rack.

Step 3: Install RK-KVM-1U, RK-KVM-2U, RK-KVM-1U-FLANGE

To rack mount the machine using the bracket:

1. Attach a bracket to each side of the unit with the screws.
2. Attach the machine to the rack with the screws.



Technical Specifications

	RK-KVM-1U	RK-KVM-2U	RK-KVM-1U-FLANGE
Product / Shipping Dimensions:	7cm x 5cm x 3cm (2.8" x 2.0" x 1.2") W, D, H	11cm x 11cm x 4cm (4.3" x 4.3" x 1.6") W, D, H	11cm x 5cm x 4cm (4.3" x 2.0" x 1.6") W, D, H
Product / Shipping Weight:	0.159kg (0.351lb)	0.294kg (0.65lb)	0.248kg (0.547lb)
Accessories:	8 screws	12 screws	8 screws
Specifications are subject to change without notice at www.kramerav.com			