



Scan for full manual

RK-KVM-1U-PP3, RK-KVM-2U-PP3 Quick Start Guide

This guide helps you install and use your RK-KVM-1U-PP3, RK-KVM-2U-PP3 for the first time.

Go to www.kramerav.com/downloads/RK-KVM-1U-PP3 to download the latest user manual.

Step 1: Check what's in the box

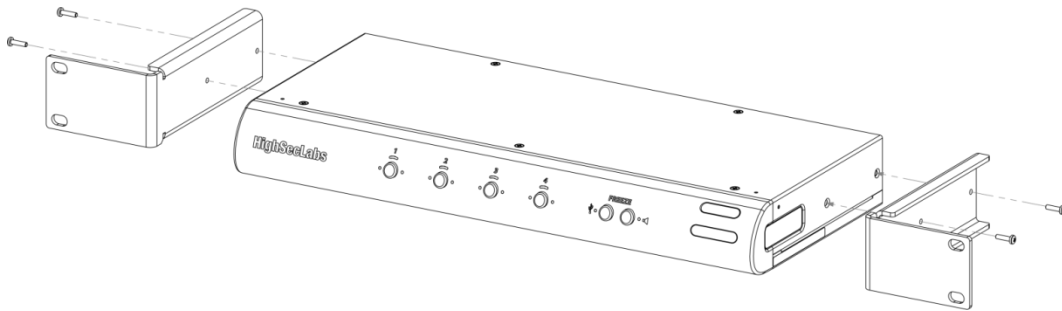
- 2 RK-KVM-1U-PP3 or
2 RK-KVM-2U-PP3
HighSecLabs rack mounting brackets
- 1 Quick start guide

Step 2: Install RK-KVM-1U-PP3, RK-KVM-2U-PP3

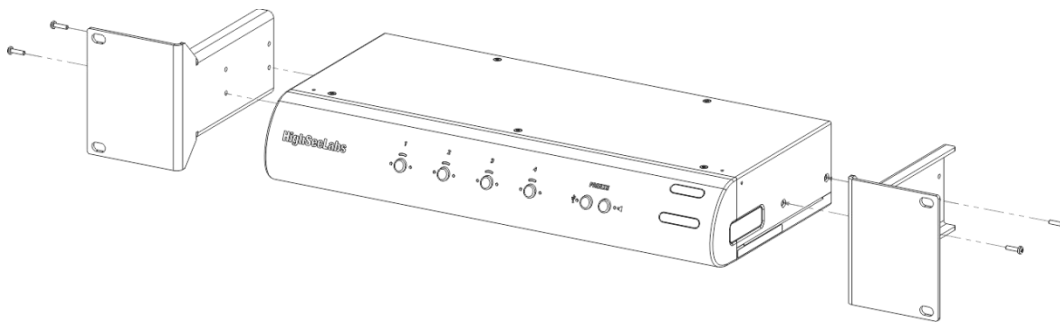
To rack mount a machine using the brackets:

1. Remove the two screws from each side of the machine.
2. Attach a bracket to each side of the machine with the screws that were removed.
3. Attach the machine to the rack with the screws.

RK-KVM-1U-PP3.



RK-KVM-2U-PP3



Technical Specifications

	RK-KVM-1U-PP3	RK-KVM-2U-PP3
Product Dimensions:	20cm x 15cm x 6cm (7.9" x 5.9" x 2.4") W, D, H	20cm x 15cm x 10cm (7.9" x 5.9" x 3.9") W, D, H
Product Weight:	0.38kg (0.84lb)	0.57kg (1.26lb)
Shipping Dimensions:	25cm x 15cm x 6cm (9.8" x 5.9" x 2.4") W, D, H	25cm x 15cm x 10cm (9.8" x 5.9" x 3.9") W, D, H
Shipping Weight:	0.39kg (0.86lb)	0.58kg (1.28lb)
Specifications are subject to change without notice at www.kramerav.com		