



Scan for full manual

RK-4U-HKS-10 Quick Start Guide

This guide helps you install and use your **RK-4U-HKS-10** for the first time.

Go to www.kramerav.com/downloads/RK-4U-HKS-10 to download the latest user manual.

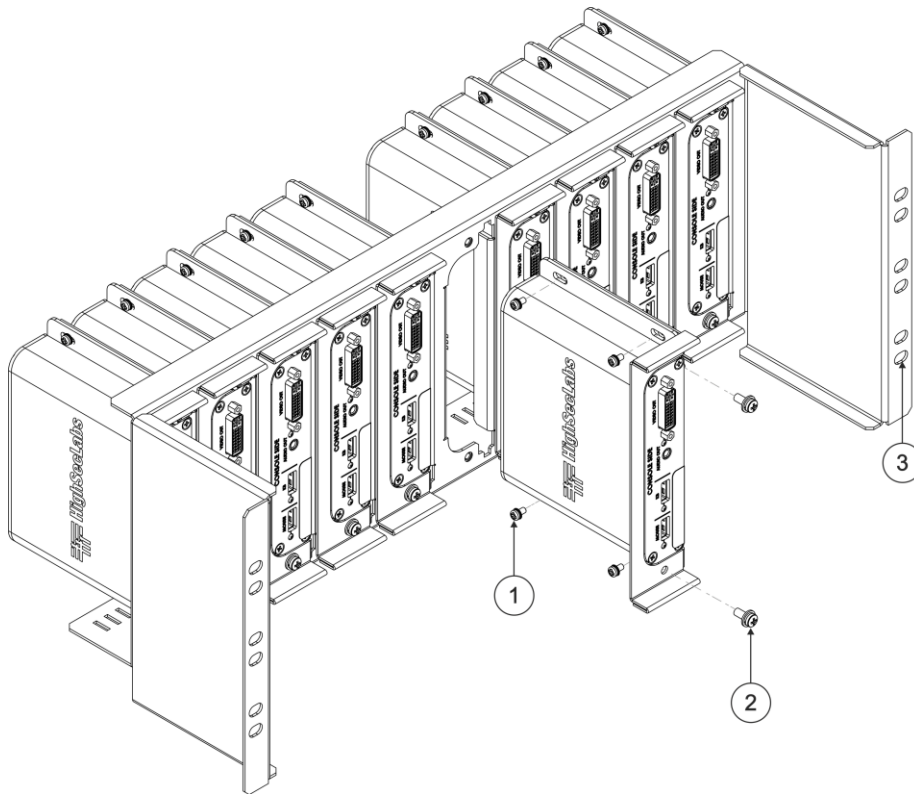
Step 1: Check what's in the box

- ✓ 1 **RK-4U-HKS-10** HighSecLabs rack mounting bracket chassis with 10 support mounts
- ✓ Screws
- ✓ 1 Quick start guide

Step 2: Install RK-4U-HKS-10

To rack mount up to 10 units using the bracket:

1. Attach the chassis (main bracket) to the rack with 4 screws (3) (not included).
2. Insert each unit into a support mount and tighten the support mount with 4 M3-0.5x6mm screws (1).
3. Insert the support mount with the unit into the main bracket and tighten it with the 2 M4x10mm screws (2).



Technical Specifications

| | |
|---|---|
| Product Dimensions: | 48.6 cm x 17.7 cm x 10.2 cm (19" x 7.0" x 4U) W, D, H |
| Product Weight: | 3.4kg (7.5lb) |
| Shipping Dimensions: | 51 cm x 19 cm x 17 cm (20" x 7.5" x 6.7") W, D, H |
| Shipping Weight: | 3.8kg (8.4lb) |
| Accessories: | 40 M3-0.5x6mm screws, 20 M4x10mm screws |
| Specifications are subject to change without notice at www.kramerav.com | |