



Scan for full manual

FC-174 Quick Start Guide

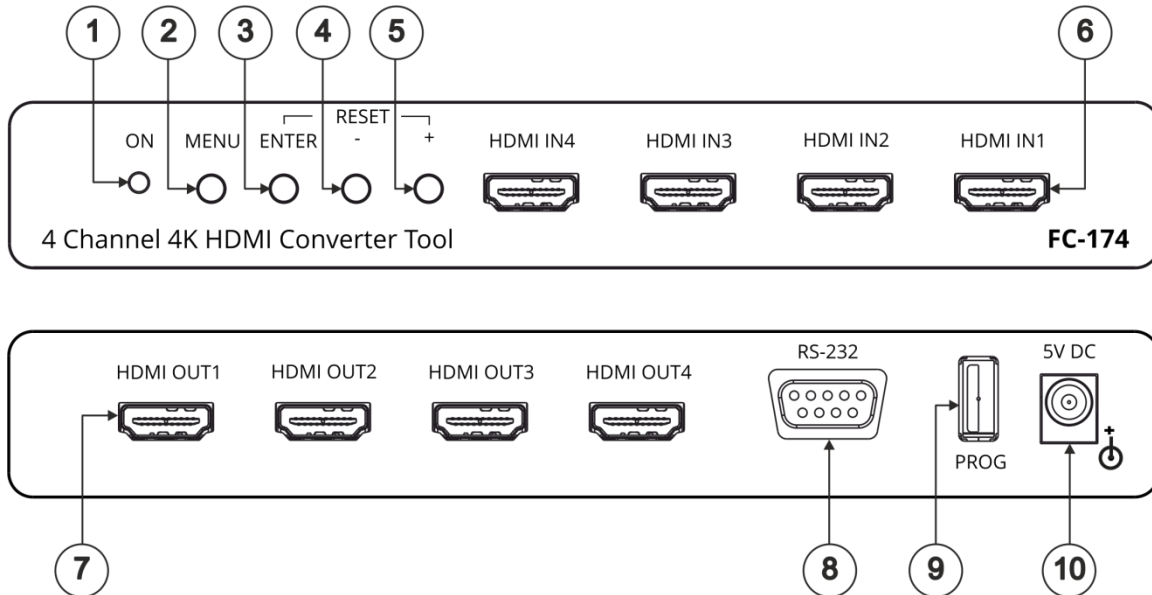
This guide helps you install and use your **FC-174** for the first time.

Go to www.kramerav.com/downloads/FC-174 to download the latest user manual and check if firmware upgrades are available.

Step 1: Check what's in the box

- ✓ **FC-174** 4 Channel 4K HDMI Converter Tool
- ✓ 4 Rubber feet
- ✓ TOOL Mounting bracket kit
- ✓ 1 Power adapter and cord
- ✓ 1 Quick start guide

Step 2: Get to know your FC-174

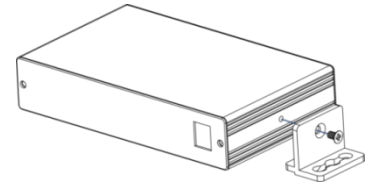


#	Feature	Function
1	ON LED	Lights green when the unit is powered on.
2	MENU Button	Press to enter/exit the on-screen display (OSD) menu.
3	ENTER Button	In the OSD, press to choose the highlighted menu item. When not in the OSD, press to view information (enabled when a channel input and output is connected and the channel Display Information is set to On). Press ENTER and + simultaneously to reset the device to its default parameters.
4	- Button	In the OSD, press to move back through the list or to decrement the parameter value.
5	+ Button	In the OSD, press to move forward through the list or to increment the parameter value. Press ENTER and + simultaneously to reset the device to its default parameters.
6	HDMI IN Connectors (1 to 4)	Connect to HDMI sources.
7	HDMI OUT Connectors (1 to 4)	Connect to HDMI acceptors.
Note that IN 1 to OUT 1 comprises Channel 1, IN 2 to OUT 2 comprises Channel 2 and so on.		
8	RS-232 9-pin D-sub Connector	Connect to a PC to control FC-174 via the Windows Application software.
9	PROG USB Port	Connect to a PC for firmware upgrade.
10	5V DC	+5V DC connector for powering the unit.

Step 3: Install the FC-174

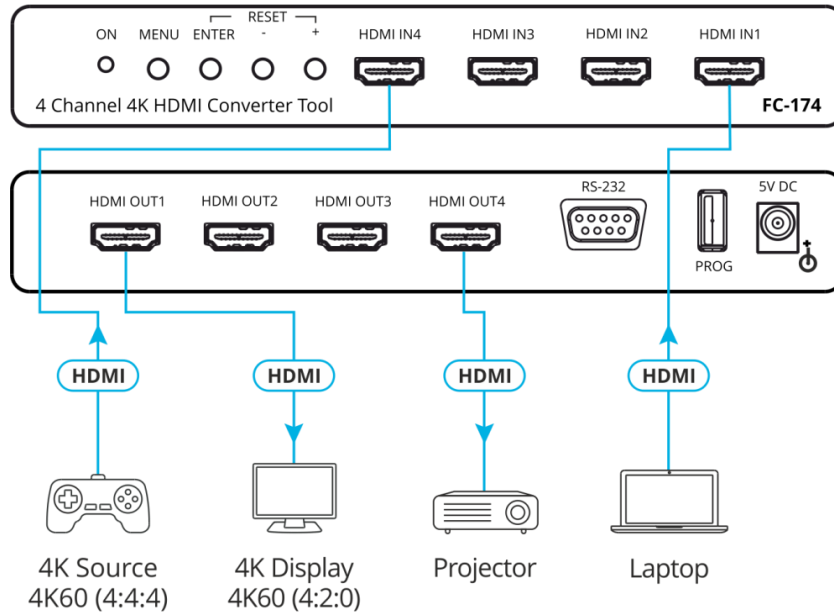
Install **FC-174** using one of the following methods:

- Attach the rubber feet and place the unit on a flat surface.
- Fasten a bracket (included) on each side of the unit and attach it to a flat surface.
For more information go to www.kramerav.com/downloads/FC-174.
- Mount the unit in a rack using an optional **RK-T2B** rack adapter.



Step 4: Connect the inputs and outputs

Always switch OFF the power on each device before connecting it to your **FC-174**. For best results, we recommend that you always use Kramer high-performance cables to connect AV equipment to the **FC-174**.



Step 5: Connect the power

Connect the 5V DC power adapter to the power socket and then connect the adapter to the mains electricity.

Safety Instructions



- Caution:** There are no operator serviceable parts inside the unit.
- Warning:** Use only the Kramer Electronics power supply that is provided with the unit.
- Warning:** Disconnect the power and unplug the unit from the wall before installing.
See www.KramerAV.com for updated safety information.

Step 6: Operate the FC-174

Use the OSD menu to set the parameters:

Menu Item	Function
Channel 1 to Channel 4	Input EDID Select: Sink User or Internal 4K2K 50/60 RGB: 4:2:0 Downsampling, 4:2:2 Downsampling or Passthrough. 4K2K 50/60 YUV4:4:4: 4:2:0 Downsampling, 4:2:2 Downsampling or Passthrough. 4K2K 50/60 YUV4:2:2: 4:2:0 Downsampling, 4:2:2 Downsampling or Passthrough. Auto Sync Off: Disable, Slow or Fast. Output Pattern: Mode (On/Off), Timing and Pattern Type. OSD: Display Information (Yes/No) and Display Timeout.
Main OSD	Display Select: All Channels or one Channel (set Main OSD to appear on all channels or on one of the four channels). Display Timeout: 5 to 40 sec, Off
Channel Information	Channel 1 to 4: Resolution, Input Colorspace, Output Colorspace, Input HDCP, Output HDCP Firmware Version
System Setting	Firmware Update. Factory Reset.