



Scan for full manual

WP-DEC7 Panel Set Quick Start Guide

This guide helps you install and use your WP-DEC7 Panel Set for the first time.

Go to www.kramerav.com/downloads/WP-DEC7 Panel Set for further details.

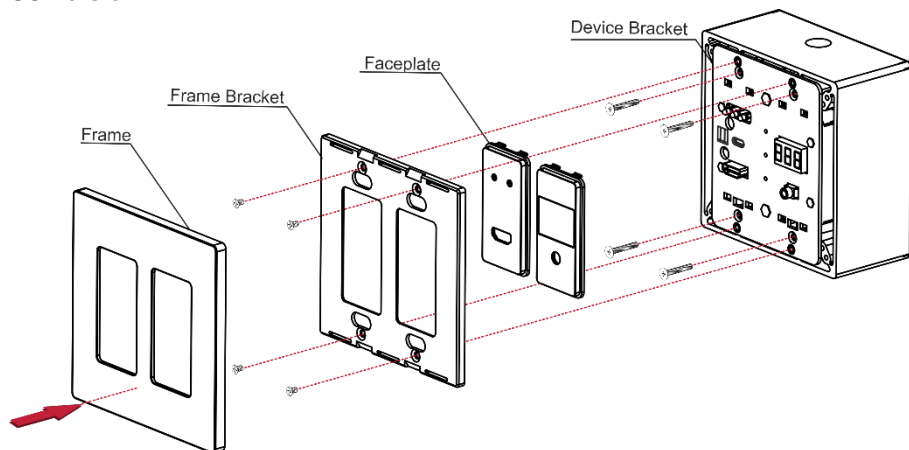
Step 1: Check what's in the box

- ✓ For EU: 1 faceplate, 1EU frame, and 1 UK frame
- ✓ For the US: 2 US-D faceplates, 1 US-D frame bracket and 1 US-D frame
- ✓ 1 Quick start guide

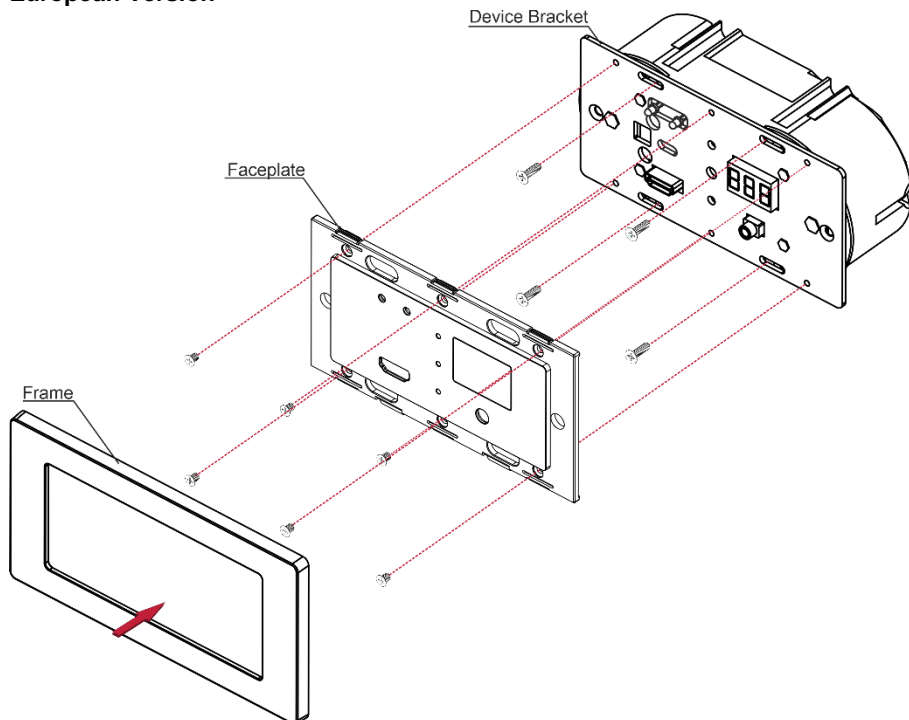
Step 2: Install the Panel Set

After mounting the device (see www.kramerav.com/downloads/WP-DEC7 Panel Set) mount the faceplates (US) and frames as shown in the illustrations below:

US Version



European Version



We recommend that you use any of the following standard 2 gang in-wall junction boxes (or their equivalent):

- **US-D:** 2 gang US electrical junction boxes.
- **EU:** 2 gang in-wall junction box, with a cut-hole diameter of 2x68mm and depth that can fit in both the device and the connected cables (DIN 49073).
- **UK:** 2 gang in-wall junction box (BS 4662), 135x75mm (W, H) and depth that can fit in both the device and the connected cables.

EU/UK: 2 gang on-wall junction box (use the recommended Kramer on-wall box available at www.kramerav.com/product/WP-DEC7 Panel Set)



DECORA® design frames are included in US-D models. DECORA® is a registered trademark of Leviton MANUFACTURING Co., Inc.