



Scan for full manual

WP-872xr EU PANEL SET Quick Start Guide

This guide helps you install and use your WP-872xr EU PANEL SET for the first time.

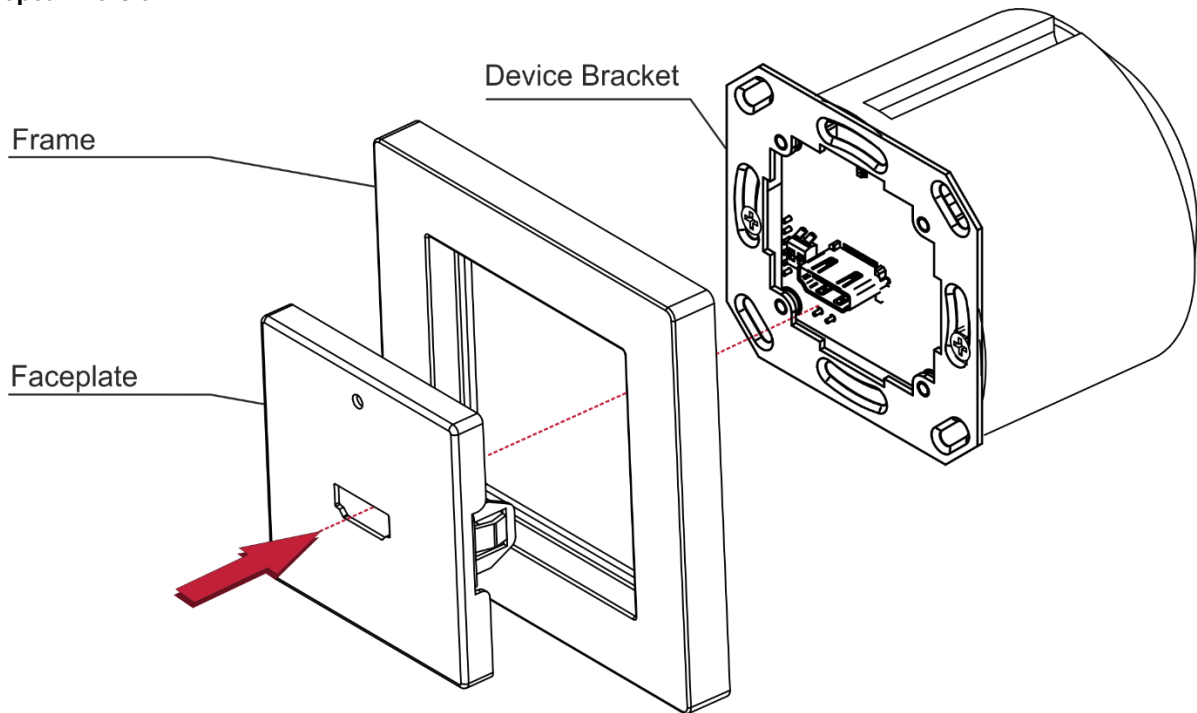
Step 1: Check what's in the box

- ✓ 1 Faceplate
- ✓ 1 EU frame
- ✓ 1 UK frame
- ✓ 1 Quick start guide

Step 2: Install the WP-872xr EU PANEL SET

After mounting the device (see www.kramerav.com/product/WP-872XR%20EU%20PANEL%20SET) attach the frame to the device and then click in the faceplate as shown in the illustration below:

European Version



We recommend that you use any of the following standard 1 Gang in-wall junction boxes (or their equivalent):

- **EU:** 1 Gang in-wall junction box, with a cut-hole diameter of 68mm and depth that can fit in both the device and the connected cables (DIN 49073).
- **UK:** 1 Gang in-wall junction box, 75x75mm (W, H), and depth that can fit in both the device and the connected cables (BS 4662).