



Scan for full manual

WP-789R EU / WP-789R US PANEL SET Quick Start Guide

This guide helps you install and use your **WP-789R EU / WP-789R US PANEL SET** for the first time. Go to [www.kramerav.com/downloads/WP-789R EU PANEL SET](http://www.kramerav.com/downloads/WP-789R_EU_PANEL_SET) or [www.kramerav.com/downloads/WP-789R US PANEL SET](http://www.kramerav.com/downloads/WP-789R_US_PANEL_SET) to download the latest user manual.

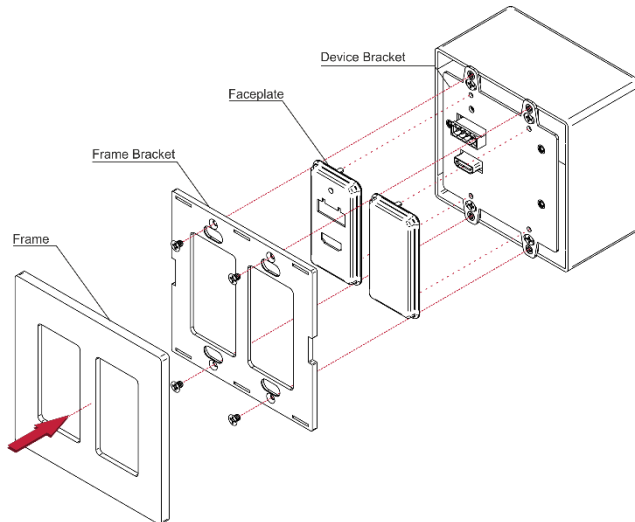
Step 1: Check what's in the box

- ✓ For EU: 1 EU faceplate and 1 UK faceplate
- ✓ 1 Quick start guide
- ✓ For the US: 1 US-D blank faceplate, 1 US-D faceplate, 1 US-D frame bracket and 1 US-D frame

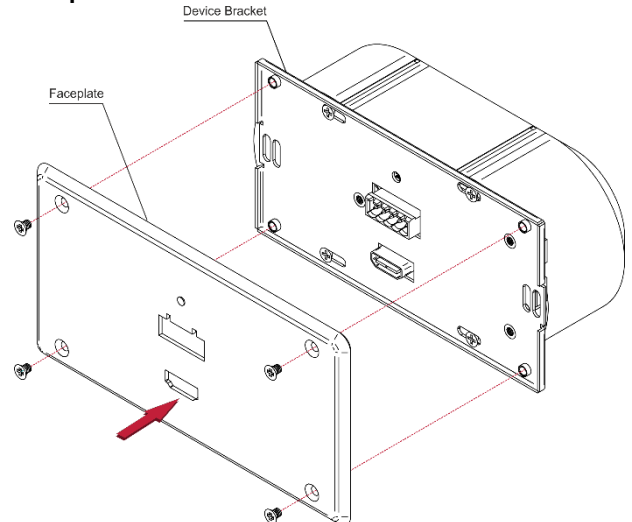
Step 2: Install the PANEL SET

After mounting the device (see www.kramerav.com/downloads/WP-789R) mount the faceplates (US) and frames as shown in the illustrations below:

US Version



European Version



DECORA® design frames are included in US-D models.
DECORA® is a registered trademark of Leviton Manufacturing Co., Inc.

We recommend that you use any of the following standard 2 gang in-wall junction boxes (or their equivalent):

- **US-D:** 2 gang US electrical junction boxes.
- **EU:** 2 gang in-wall junction box, with a cut-hole diameter of 2x68mm and depth that can fit in both the device and the connected cables (DIN 49073).
- **UK:** 2 gang in-wall junction box (BS 4662), 135x75mm (W, H) and depth that can fit in both the device and the connected cables.
- **EU/UK:** 2 gang on-wall junction box (use the recommended Kramer on-wall box available at www.kramerav.com/product/WP-789R)