



Scan for full manual

VS-21DTP Quick Start Guide

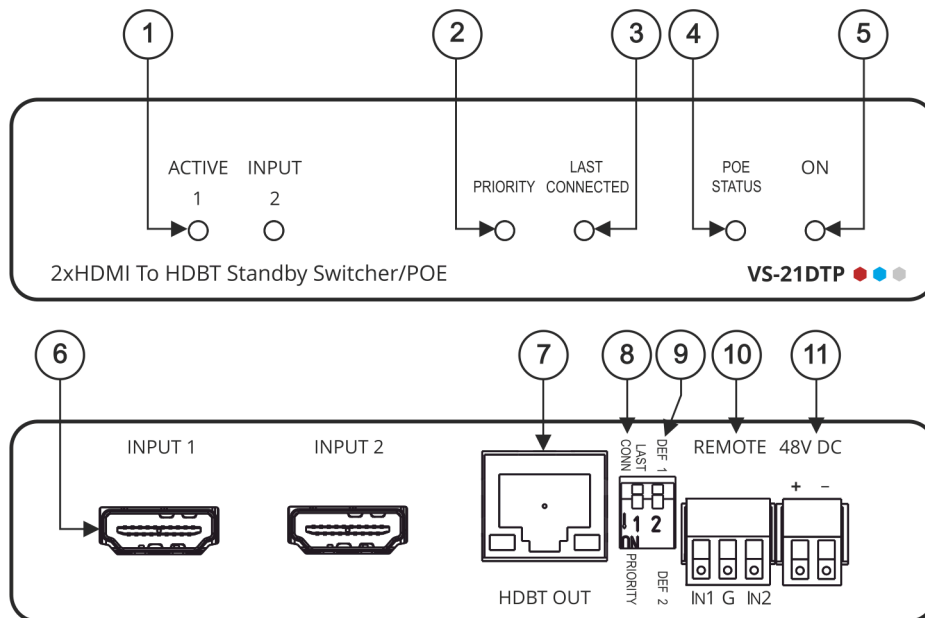
This guide helps you install and use your VS-21DTP for the first time.

Go to www.kramerav.com/downloads/VS-21DTP to download the latest user manual and check if firmware upgrades are available.

Step 1: Check what's in the box

- ✓ VS-21DTP 2xHDMI to HDBT Standby Switcher/POE
 - ✓ 1 Power adapter and cord
- ✓ 1 Bracket set
 - ✓ 1 Quick start guide
- ✓ 4 Rubber feet

Step 2: Get to know your VS-21DTP



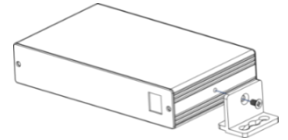
#	Feature	Function
1	ACTIVE INPUT LEDs (1 to 2)	Lights green when the input is active. Both LEDs flash when no input is active.
2	PRIORITY LED	Lights green when DIP-switch 1 is set to PRIORITY (down).
3	LAST CONNECTED LED	Lights green when DIP-switch 1 is set to LAST CONNECTED (up).
4	POE STATUS LED	Lights green when the unit provides PoE.
5	ON LED	Lights green when the unit is powered on via power adapter or PoE.
6	INPUT HDMI™ Connectors (1 to 2)	Connect to an HDMI source.
7	HDBT OUT RJ-45 Connector	Connect to an HDBaseT receiver (for example, TP-580R) and provide or accept power (bidirectional PoE).
8	LAST CONN/PRIORITY DIP-switch 1	Set DIP-switch 1 up (off) to select the Last Connected input. Set DIP-switch 1 down (on) to select the Priority input determined by DIP-switch 2.
9	DEF 1/DEF 2 DIP-switch 2	Set DIP-switch 2 up (off) to define INPUT 1 as the default (priority) input. Set DIP-switch 2 down (on) to define INPUT 2 as the default (priority) input.
10	REMOTE 3-pin Terminal Block Connector	Connects to optional contact closure switches 1 or 2 for manual switching (by momentary contact between the desired pin and the G pin).
11	48V DC Power Terminal Block Connector	Connect to the Kramer power adapter.

The terms HDMI, HDMI High-Definition Multimedia Interface, and the HDMI Logo are trademarks or registered trademarks of HDMI Licensing Administrator, Inc.

Step 3: Mount VS-21DTP

Install **VS-21DTP** using one of the following methods:

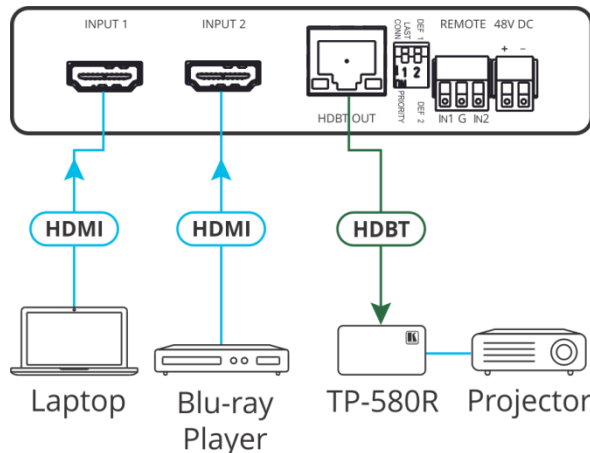
- Attach the rubber feet and place the unit on a flat surface.
- Fasten a bracket (included) on each side of the unit and attach it to a flat surface (see www.kramerav.com/downloads/VS-21DTP).
- Mount the unit in a rack using the recommended rack adapter (see www.kramerav.com/product/VS-21DTP).



- Ensure that the environment (e.g., maximum ambient temperature & air flow) is compatible for the device.
- Avoid uneven mechanical loading.
- Appropriate consideration of equipment nameplate ratings should be used for avoiding overloading of the circuits.
- Reliable earthing of rack-mounted equipment should be maintained.

Step 4: Connect inputs and outputs

Always switch OFF the power on each device before connecting it to your **VS-21DTP**.



DIP-switches Setup:

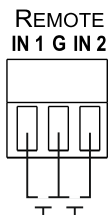
A switch that is down is on; a switch that is up is off. By default, both switches are up (off).

Video Switching Selection:

DIP-switch 1	DIP-switch 2	Video Input Selection
PRIORITY (down)	DEF 1 (up)	INPUT 1 is the default priority setup and is automatically switched to the output.
	DEF 2 (down)	INPUT 2 is the default priority setup and is automatically switched to the output.
LAST CONNECTED (up)	N/A	The last connected source is switched to the output (a reactivated or reconnected source becomes the new "Last Connected" source).

Contact Closure Switches (Manual Override):

Controlling via the remote contact closure pushbuttons overrides all DIP-switch settings and automatic switching until the manually selected source disconnects, becomes inactive or the **VS-21DTP** is powered off.



Select INPUT 1	Momentarily connect REMOTE IN 1 to PIN G (ground).
Select INPUT 2	Momentarily connect REMOTE IN 2 to PIN G (ground).



To achieve specified extension distances, use the recommended Kramer cables available at www.kramerav.com/product/VS-21DTP.

Using third-party cables may cause damage!

Step 5: Connect power

Connect the power cord to **VS-21DTP** and plug it into the mains electricity.

Safety Instructions (See www.kramerav.com for updated safety information)

Caution:

- For products with relay terminals and GPIO ports, please refer to the permitted rating for an external connection, located next to the terminal or in the User Manual.
- There are no operator serviceable parts inside the unit.

Warning:

- Use only the power cord that is supplied with the unit.
- Disconnect the power and unplug the unit from the wall before installing.
- Do not open the unit. High voltages can cause electrical shock! Servicing by qualified personnel only.
- To ensure continuous risk protection, replace fuses only according to the rating specified on the product label which located on the bottom of the unit.