



Scan for full manual

VP-427UHD Quick Start Guide

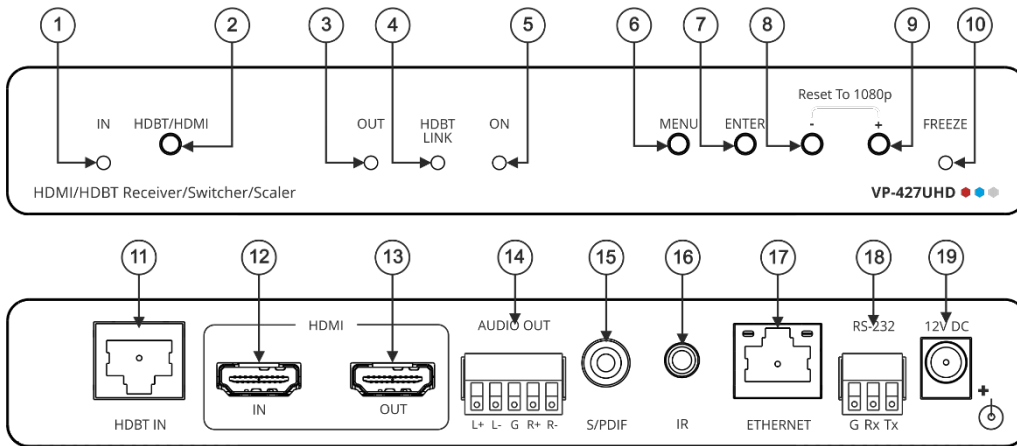
This guide helps you install and use your VP-427UHD for the first time.

Go to www.kramerav.com/downloads/VP-427UHD to download the latest user manual and check if firmware upgrades are available.

Step 1: Check what's in the box

- ✓ VP-427UHD HDMI/HDBT Receiver/Switcher/Scaler
- ✓ 1 Bracket set
- ✓ 1 Quick start guide
- ✓ 1 Power adapter and cord
- ✓ 4 Rubber feet

Step 2: Get to know your VP-427UHD



#	Feature	Function
1	IN LED	Lights green when the HDMI™ input is selected, blue when HDBT is selected and flashes if no input signal is detected.
2	HDBT/HDMI Button	Press to select the remote HDBT or the local HDMI source.
3	HDMI™ OUT Status LED	Lights green when an HDMI acceptor is connected.
4	HDBT LINK status LED	Lights green when an HDBT link between a transmitter and the receiver is successfully established and is active.
5	ON LED	Lights green when the unit is powered from the local 12V DC source and lights blue when receiving PoE via HDBT.
6	MENU Button	Press to enter the OSD menu. When in OSD, press to exit one level up.
7	ENTER Button	When not in OSD, press ENTER to view the input status on the display (the selected input, resolution and frame rate, HDCP state and aspect ratio). When in OSD, press to select and carry out a menu item or to accept a parameter value. Press and hold together with the – or + to increase the speed of parameter-decrement or increment, respectively. Press and hold for about 3 seconds to reset a menu parameter to its default values.
8	- Button	Press and hold together with the + button to reset the output resolution to 1080p (default). In OSD, press to move back through the menu list or to decrement a parameter value (or press together with ENTER to speed up parameter decrement).
9	+ (also Freeze) Button	Press and hold together with the – button to reset the output resolution to 1080p (default). When not in OSD: press to freeze the image; In OSD, press to move forward through the sub-menu list or to increment the parameter value (or press together with ENTER to speed up parameter increment).
10	FREEZE LED	Lights green when freezing the image.
11	HDBT IN RJ-45 Connector	Connects to an HDBaseT transmitter.
12	HDMI IN Connector	Connect to an HDMI source.
13	HDMI OUT Connector	Connects to an HDMI acceptor.
14	AUDIO OUT 5-pin Terminal Block Connector	Connect to a balanced or unbalanced stereo audio acceptor.
15	S/PDIF digital audio output	Connect to a digital audio acceptor.
16	IR 3.5mm Mini Jack	Connect to an IR Sensor (in) or Emitter (out) to control a remote device.

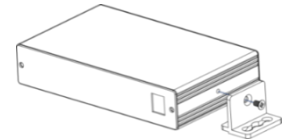
#	Feature	Function
17	Ethernet RJ-45 Connector	Connect via a LAN to a PC to control the VP-427UHD and/or extend Ethernet signals to the HDBT transmitter via the HDBT IN port.
18	RS-232 Terminal Block Connector	Connects to a controller to control the VP-427UHD or to extend RS-232 signals between the VP-427UHD and the RS-232 port of the connected HDBT transmitter.
19	12V DC	+12V DC connector for powering the unit.

The terms HDMI, HDMI High-Definition Multimedia Interface, and the HDMI Logo are trademarks or registered trademarks of HDMI Licensing Administrator, Inc.

Step 3: Mount VP-427UHD

Install VP-427UHD using one of the following methods:

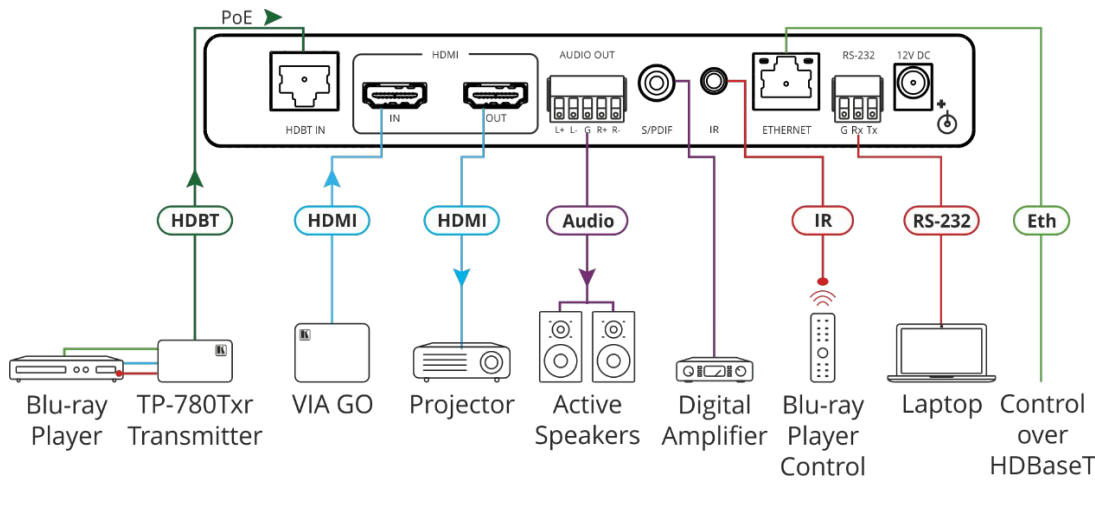
- Attach the rubber feet and place the unit on a flat surface.
- Fasten a bracket (included) on each side of the unit and attach it to a flat surface (see www.kramerav.com/downloads/VP-427UHD).
- Mount the unit in a rack using the recommended rack adapter (see www.kramerav.com/product/VP-427UHD).
- Maximum mounting height for the device is 2 meters.



- Ensure that the environment (e.g., maximum ambient temperature & air flow) is compatible for the device.
- Avoid uneven mechanical loading.
- Appropriate consideration of equipment nameplate ratings should be used for avoiding overloading of the circuits.
- Reliable earthing of rack-mounted equipment should be maintained.
- Maximum mounting height for the device is 2 meters.

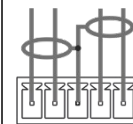
Step 4: Connect inputs and outputs

Always switch OFF the power on each device before connecting it to your VP-427UHD. For best results, we recommend that you always use Kramer high-performance cables to connect AV equipment to the VP-427UHD.



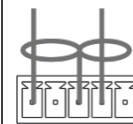
Connect AUDIO OUT

To a balanced stereo audio acceptor:



L+ L- G R+ R-

To an unbalanced stereo audio acceptor:



L+ L- G R+ R-



To achieve specified extension distances, use the recommended Kramer cables available at www.kramerav.com/product/VP-427UHD. Using third-party cables may cause damage!

Step 5: Connect power

Connect the power cord to VP-427UHD and plug it into the mains electricity.

Safety Instructions (See www.kramerav.com for updated safety information)

Caution:

- For products with relay terminals and GPIO ports, please refer to the permitted rating for an external connection, located next to the terminal or in the User Manual.
- There are no operator serviceable parts inside the unit.

Warning:

- Use only the LPS power supply/cord supplied with the unit.
- Disconnect the power and unplug the unit from the wall before installing.

Step 6: Operate VP-427UHD

Operate the VP-427UHD:

- Toggle the HDBT/HDMI front panel button to select the input.
- Control device via OSD menu or remotely by RS-232 serial commands or Ethernet transmitted by a touch screen system, PC, or other serial controller.
- Control remote devices on the transmitter via RS-232, IR or Ethernet signal extension.

RS-232 Control / Protocol 3000?					
Baud Rate:	115,200	Parity:	None	Stop Bits:	1
Data Bits:	8	Command Format:	ASCII		
Example: (get device model): #MODEL?<CR>					
Default Ethernet Parameters					
IP Address:	192.168.1.39	UDP Port #:	50000	Gateway:	0.0.0.0.
Subnet mask:	255.255.0.0	TCP Port #:	5000		