



Scan for full manual

## VP-427H2 Quick Start Guide

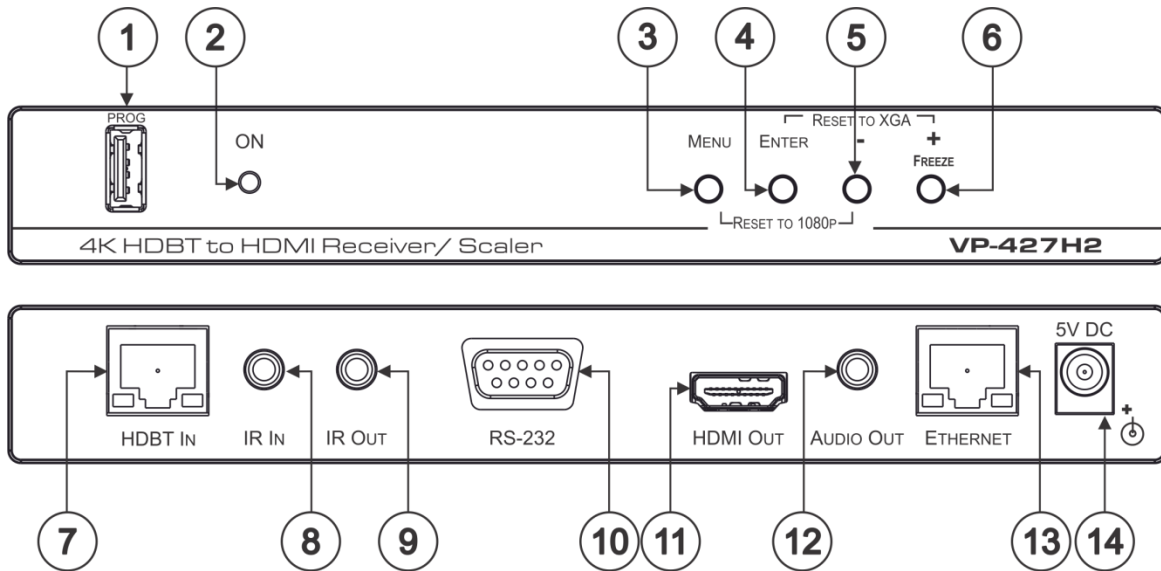
This guide helps you install and use your VP-427H2 for the first time.

Go to [www.kramerav.com/downloads/VP-427H2](http://www.kramerav.com/downloads/VP-427H2) to download the latest user manual and check if firmware upgrades are available.

### Step 1: Check what's in the box

- ✓ VP-427H2 4K HDBT to HDMI Receiver/Scaler
  - ✓ 1 Power adapter and cord
- ✓ 1 Bracket set
  - ✓ 4 Rubber feet
- ✓ 1 Quick start guide

### Step 2: Get to know your VP-427H2



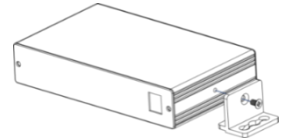
| #  | Feature                      | Function   |
|----|------------------------------|--|
| 1  | PROG USB Connector           | Connects to a USB memory stick for programming upgrade   |
| 2  | ON LED                       | Lights green when the unit is powered on   |
| 3  | MENU Button                  | Press to enter/exit the on-screen display (OSD) menu. Press together with the – button to reset to 1080p                         |
| 4  | ENTER Button                 | In OSD, press to choose the highlighted menu item. Press together with the + /FREEZE button to reset to XGA                      |
| 5  | –                            | In OSD, press to move back through the list or to decrement the parameter value  |
| 6  | + /FREEZE Button             | In OSD, press to move forward through the list or to increment the parameter value. When not in OSD, press to freeze the display |
| 7  | HDBT IN RJ-45 Connector      | Connects to an HDBaseT transmitter   |
| 8  | IR IN 3.5mm Mini Jack        | Connects to an IR sensor   |
| 9  | IR OUT 3.5mm Mini Jack       | Connects to an IR emitter  |
| 10 | RS-232 9-pin D-sub Connector | Connects to an acceptor to embed/de-embed control commands in the HDBaseT data stream  |
| 11 | HDMI™ OUT Connector          | Connects to an HDMI acceptor   |
| 12 | AUDIO OUT 3.5mm Mini Jack    | Connects to an unbalanced stereo audio acceptor  |
| 13 | ETHERNET RJ-45 Connector     | Connect to a PC via a LAN  |
| 14 | 5V DC                        | +5V DC connector for powering the unit   |

The terms HDMI, HDMI High-Definition Multimedia Interface, and the HDMI Logo are trademarks or registered trademarks of HDMI Licensing Administrator, Inc.

## Step 3: Mount VP-427H2

Install **VP-427H2** using one of the following methods:

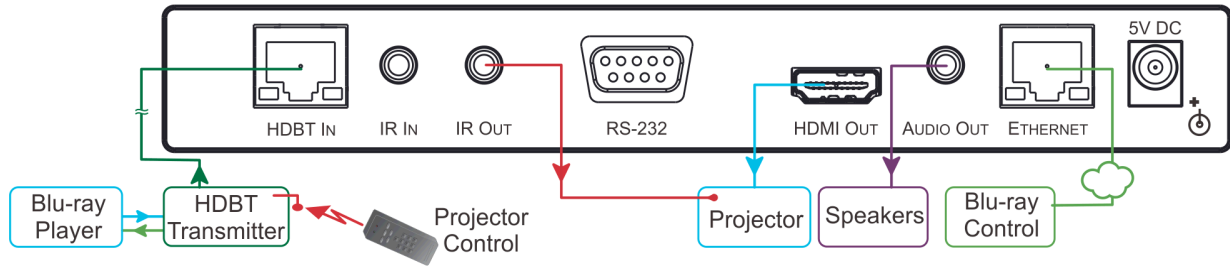
- Attach the rubber feet and place the unit on a flat surface.
- Fasten a bracket (included) on each side of the unit and attach it to a flat surface (see [www.kramerav.com/downloads/VP-427H2](http://www.kramerav.com/downloads/VP-427H2)).
- Mount the unit in a rack using the recommended rack adapter (see [www.kramerav.com/product/VP-427H2](http://www.kramerav.com/product/VP-427H2)).



- Ensure that the environment (e.g., maximum ambient temperature & air flow) is compatible for the device.
- Avoid uneven mechanical loading.
- Appropriate consideration of equipment nameplate ratings should be used for avoiding overloading of the circuits.
- Reliable earthing of rack-mounted equipment should be maintained.
- Maximum mounting height for the device is 2 meters.

## Step 4: Connect inputs and outputs

Always switch OFF the power on each device before connecting it to your **VP-427H2**. For best results, we recommend that you always use Kramer high-performance cables to connect AV equipment to the **VP-427H2**.



To achieve specified extension distances, use the recommended Kramer cables available at [www.kramerav.com/product/VP-427H2](http://www.kramerav.com/product/VP-427H2). Using third-party cables may cause damage!

## Step 5: Connect power

Connect the power cord to **VP-427H2** and plug it into the mains electricity.

Safety Instructions (See [www.kramerav.com](http://www.kramerav.com) for updated safety information)

**Caution:**

- For products with relay terminals and GPIO ports, please refer to the permitted rating for an external connection, located next to the terminal or in the User Manual.
- There are no operator serviceable parts inside the unit.

**Warning:**

- Use only the power cord that is supplied with the unit.
- Disconnect the power and unplug the unit from the wall before installing.

## Step 6: Technical Specifications

|   |   |                      |                               |
|---|---|----------------------|-------------------------------|
| Inputs:   | 1 HDBaseT twisted pair on an RJ-45 connector, 1 IR on a 3.5mm mini jack   |                      |                               |
| Outputs:  | 1 HDMI connector, 1 IR on a 3.5mm mini jack, 1 unbalanced stereo audio (1.2Vrms nominal, 100Ω) on a 3.5mm mini jack   |                      |                               |
| Ports:  | 1 bidirectional RS-232 port on a 9-pin D-sub connector, 1 Ethernet on an RJ-45 connector, 1 USB (A) for upgrading   |                      |                               |
| Compliance with HDMI Standard:  | Supports up to HDMI 2.0, and HDCP 2.2   |                      |                               |
| Output Resolutions:   | 640x480@60Hz, 800x600@60Hz 1024x768@60Hz, 1280x768@60Hz, 1360x768@60Hz, 1280x800@60Hz, 1280x1024@60Hz, 1440x900@60Hz, 1400x1050@60Hz, 1680x1050@60Hz, 1600x1200@60Hz, 1920x1200@60Hz 480P@60Hz, 576P@50Hz, 720P@50/60Hz, 1080P@24/25/30Hz, 4k2k (4:2:0)@50/60Hz, 4k2k (4:4:4)@50/60Hz, Native |                      |                               |
| Output Refresh Rate:  | 60Hz for computer graphics resolutions, 50/60Hz for HDTV resolutions  |                      |                               |
| Audio Sampling Rate:  | 48kHz for analog audio output   |                      |                               |
| Video Latency:  | Progressive input: 30ms (approx.); interlaced input: 50ms (approx.)   |                      |                               |
| Embedded Audio:   | HDMI and HDBT support multi-channel audio   |                      |                               |
| RS-232 Baud Rate:   | 115200bps max.  |                      |                               |
| Controls:   | Front panel buttons, OSD menu   |                      |                               |
| Indicators:   | ON LED (green)  |                      |                               |
| Power Consumption:  | 5V DC, 2.5A   | Power Source:        | 5.2V/4A                       |
| Operating Temperature:  | 0° to +40°C (32° to 104°F)  | Storage Temperature: | -40° to +70°C (-40° to 158°F) |
| Humidity:   | 10% to 90%, RHL non-condensing  |                      |                               |
| Dimensions:   | 18.8cm x 11.4cm x 2.5cm (7.4" x 4.5" x 1.0") W, D, H  |                      |                               |
| Shipping Dimensions:  | 35.1cm x 21.2cm x 7.2cm (13.8" x 8.35" x 2.8") W, D, H  |                      |                               |
| Weight:   | 0.56kg (1.2lb)  | Shipping Weight:     | 1.1kg (2.42lb)                |
| Included Accessories:   | Power supply  | Options:             | RK-T2B 19" rack adapter       |
| Specifications are subject to change without notice at <a href="http://www.kramerav.com">www.kramerav.com</a> |   |                      |                               |