



Scan for full manual

VP-424C Quick Start Guide

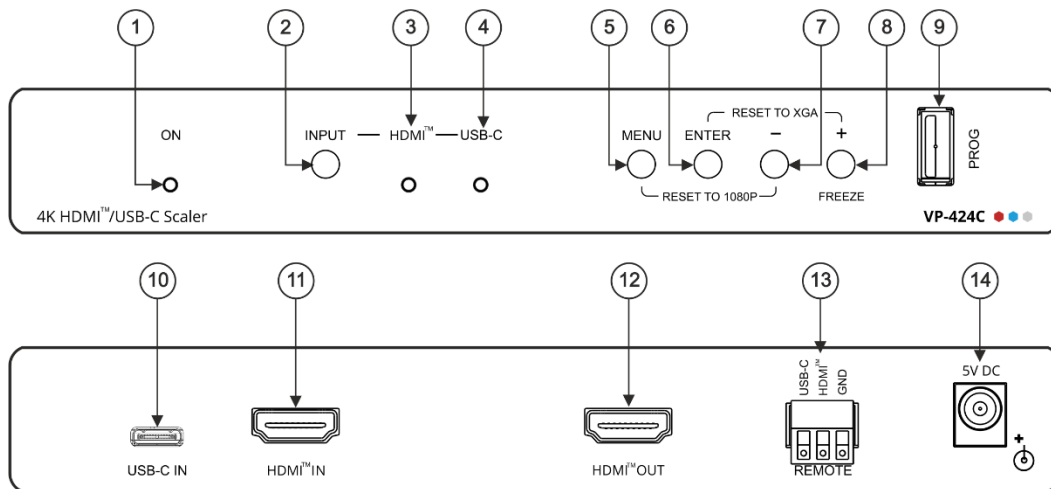
This guide helps you install and use your **VP-424C** for the first time.

Go to www.kramerav.com/downloads/VP-424C to download the latest user manual and check if firmware upgrades are available.

Step 1: Check what's in the box

- ✓ **VP-424C** 4K HDMI/USB-C Scaler
- ✓ 1 Bracket set
- ✓ 1 Quick start guide
- ✓ 1 Power adapter and cord
- ✓ 4 Rubber feet

Step 2: Get to know your VP-424C



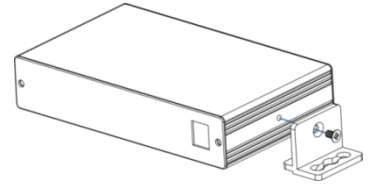
#	Feature	Function
1	ON LED	Lights green when the unit is powered.
2	INPUT Button	Press to toggle the input between HDMI and USB-C.
3	HDMI™ LED	Lights when the HDMI input is selected.
4	USB-C LED	Lights when the USB-C input is selected.
5	MENU Button	Press to enter/escape the on-screen display (OSD) menu. Press together with the – button to reset to 1080p (RESET TO 1080P).
6	ENTER Button	In OSD, press to choose the highlighted menu item. Press together with the + button to reset to XGA (RESET TO XGA).
7	– Button	In OSD, press to move backward through the list or to decrement the parameter value.
8	+ / FREEZE Button	In OSD, press to move forward through the list or to increment the parameter value. When not in OSD, press to freeze the display.
9	PROG USB Connector	Connect to a USB memory stick for upgrading the firmware.
10	USB-C IN USB Type C Port	Connect to a USB type-C audio-video source.
11	HDMI™ IN Connector	Connect to an HDMI source.
12	HDMI™ OUT Connector	Connect to an HDMI acceptor.
13	REMOTE 3-pin Terminal Block Connector	Connect to contact closure switches (by momentary contact between the desired pin and GND pin) to select an input.
14	5V DC	+5V DC connector for powering the unit.

The terms HDMI, HDMI High-Definition Multimedia Interface, and the HDMI Logo are trademarks or registered trademarks of HDMI Licensing Administrator, Inc.

Step 3: Install the VP-424C

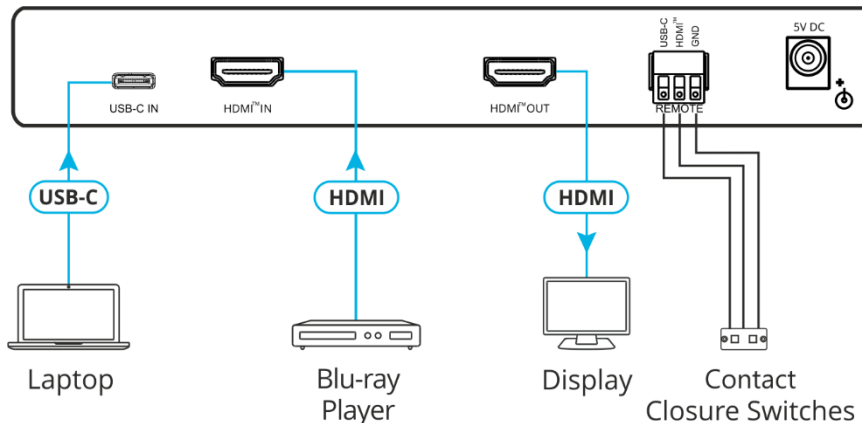
Install **VP-424C** using one of the following methods:

- Attach the rubber feet and place the unit on a flat surface.
- Fasten a bracket (included) on each side of the unit and attach it to a flat surface. For more information go to www.kramerav.com/downloads/VP-424C.
- Mount the unit in a rack using the recommended rack adapter (see www.kramerav.com/product/VP-424C).
- Maximum mounting height for the device is 2 meters.



Step 4: Connect the inputs and outputs

Always switch OFF the power on each device before connecting it to your **VP-424C**. For best results, we recommend that you always use Kramer high-performance cables to connect AV equipment to the **VP-424C**.



Step 5: Connect the power

Connect the power cord to **VP-424C** and plug it into the mains electricity.

Safety Instructions



- Caution:** There are no operator serviceable parts inside the unit.
- Warning:** Use only the power cord that is supplied with the unit.
- Warning:** Do not open the unit. High voltages can cause electrical shock! Servicing by qualified personnel only.
- Warning:** Disconnect the power and unplug the unit from the wall before installing.

See www.KramerAV.com for updated safety information

Step 6: Operate and control the VP-424C

Select the input via the following options:

- Press the front panel INPUT button.
- Use the contact closure terminal block to select an input remotely with the press of a button.

Press the **MENU** button to configure and control the device via OSD menu:

- Set brightness, contrast, color, noise reduction etc.
- Manage EDID.
- Configure HDCP behavior.
- Select resolution and aspect ratio.
- Manage auto power down (Auto Sync Off).
- View device information.
- Reset to factory default parameters.
- Control OSD display.

