



Scan for full manual

VM-80VN Quick Start Guide

This guide helps you install and use your VM-80VN for the first time.

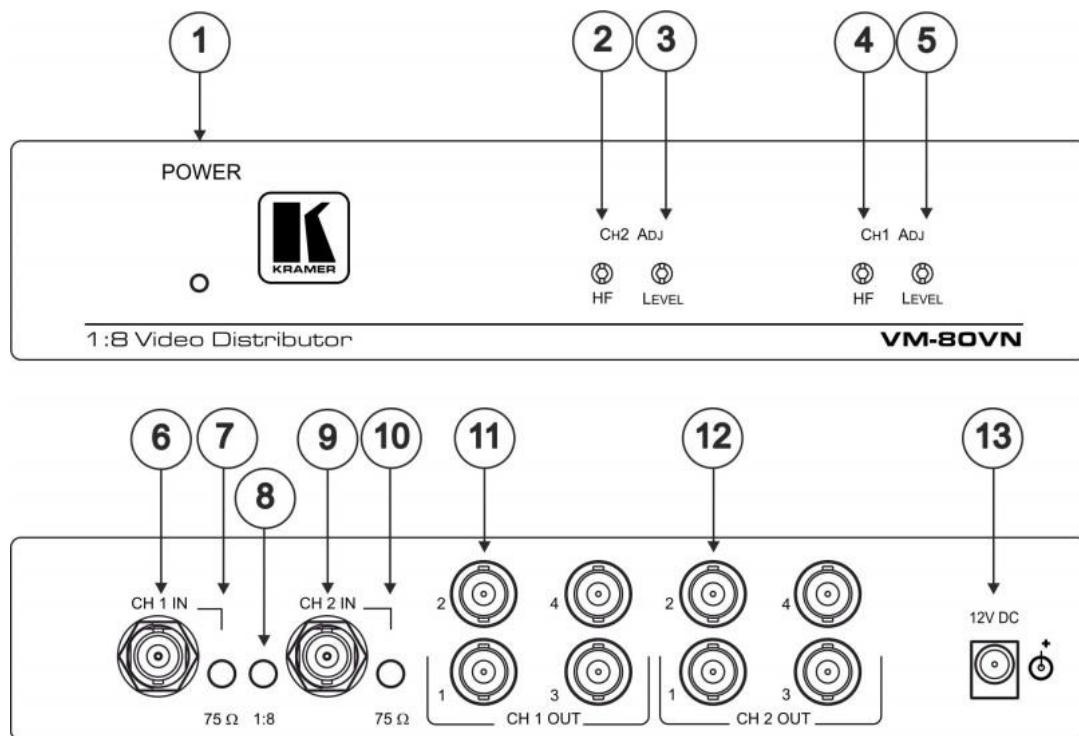
Go to www.kramerav.com/downloads/VM-80VN to download the latest user manual and check if firmware upgrades are available.

Step 1: Check what's in the box

- ✓ VM-80VN 1:8 Video Distributor
- ✓ 1 Power supply (12V DC)
- ✓ 4 Rubber feet
- ✓ 1 Quick start guide

Step 2: Get to know your VM-80VN

This section defines the VM-80VN.



#	Feature	Function
1	POWER LED	Illuminates when the device is powered on
2	CH2 ADJ HF Trimmer	Adjusts the CH2 cable compensation equalization level
3	CH2 ADJ Level Trimmer	Adjusts the CH2 video gain level
4	CH1 ADJ HF Trimmer	Adjusts the CH1 cable compensation equalization level
5	CH1 ADJ Level Trimmer	Adjusts the CH1 video gain level
6	CH 1 IN BNC Connector	Connects to the CH1 video source
7	CH 1 IN 75Ω Pushbutton	Press in for CH1 75Ω termination, release for no termination
8	1:8 Pushbutton	Press in for 1:8 operation, release for 1:4 operation
9	CH 2 IN BNC Connector	Connects to the CH2 video source
10	CH 2 IN 75Ω Pushbutton	Press in for CH2 75Ω termination, release for no termination
11	CH 1 OUT BNC Connector	Connects to the CH1 video acceptor(s) (from 1 to 4)
12	CH 2 OUT BNC Connector	Connects to the CH2 video acceptor(s) (from 1 to 4)
13	12V DC Connector	Connector for attaching the 12V DC power supply

Step 3: Mount VM-80VN

Install VM-80VN using one of the following methods:

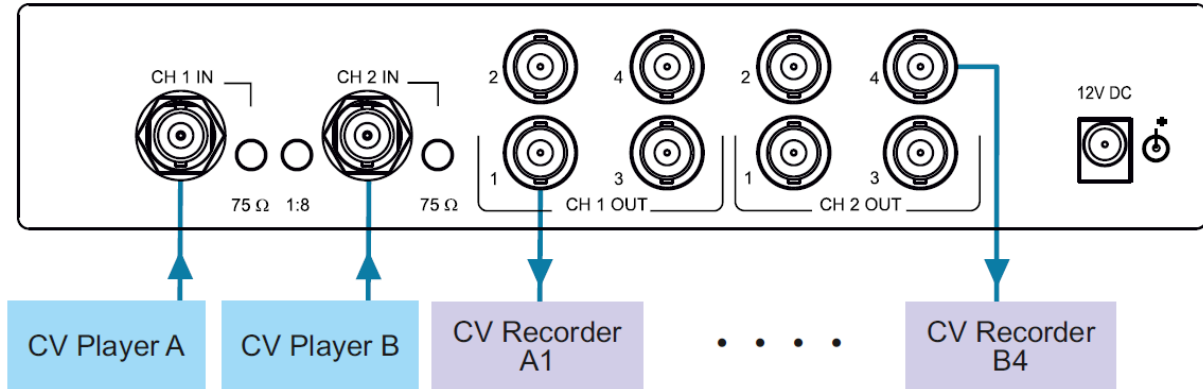
- Attach the rubber feet and place the unit on a flat surface.
- Mount the unit in a rack using the recommended rack adapter (see www.kramerav.com/product/VM-80VN).



- Ensure that the environment (e.g., maximum ambient temperature & air flow) is compatible for the device.
- Avoid uneven mechanical loading.
- Appropriate consideration of equipment nameplate ratings should be used for avoiding overloading of the circuits.
- Reliable earthing of rack-mounted equipment should be maintained.

Step 4: Connect inputs and outputs

Always switch OFF the power on each device before connecting it to your VM-80VN.



To achieve specified extension distances, use the recommended Kramer cables available at www.kramerav.com/product/VM-80VN. Using third-party cables may cause damage!

Step 5: Connect power

Connect the 12V DC power adapter to VM-80VN and plug it into the mains electricity.

Safety Instructions (See www.kramerav.com for updated safety information)

Caution:

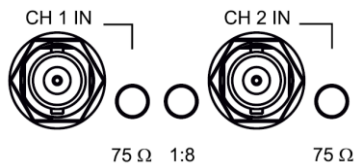
- For products with relay terminals and GPIO ports, please refer to the permitted rating for an external connection, located next to the terminal or in the User Manual.
- There are no operator serviceable parts inside the unit.

Warning:

- Use only the power cord that is supplied with the unit.
- Disconnect the power and unplug the unit from the wall before installing.

Step 6: Operate VM-80VN

For 1:8 operation, press the 1:8 button



For looping, press the 75Ω button

Using a small screwdriver, adjust the HF (EQ) or Level (Gain) potentiometers per channel

