



Scan for full manual

VM-2D Quick Start Guide

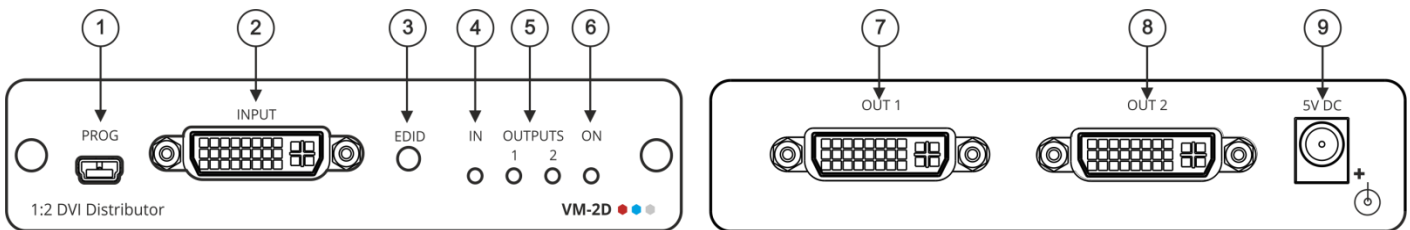
This guide helps you install and use your VM-2D for the first time.

Go to www.kramerav.com/downloads/VM-2D to download the latest user manual and check if firmware upgrades are available.

Step 1: Check what's in the box

- ✓ VM-2D 1:2 DVI Distributor
 - ✓ 1 Power adapter and cord
- ✓ 1 Bracket set
 - ✓ 1 Quick start guide
- ✓ 4 Rubber feet

Step 2: Get to know your VM-2D

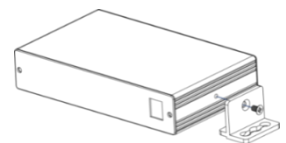


#	Feature	Function
1	PROG Mini USB Connector	Connect to a PC to upgrade the firmware (via K-Upload).
2	DVI-I Connector	Connect to a DVI source.
3	EDID Button	Press to read the EDID
4	IN LED	Lights green when an active input signal is detected
5	OUTPUT LEDs (1 to 2)	Lights green when an output device is detected
6	ON LED	Lights green when the device receives power
7	OUT 1 DVI-I Connector	Connect to a DVI acceptor.
8	OUT 2 DVI-I Connector	Connect to a DVI acceptor.
9	5V DC Power Connector	5V DC connector for powering the unit.

Step 3: Mount VM-2D

Install VM-2D using one of the following methods:

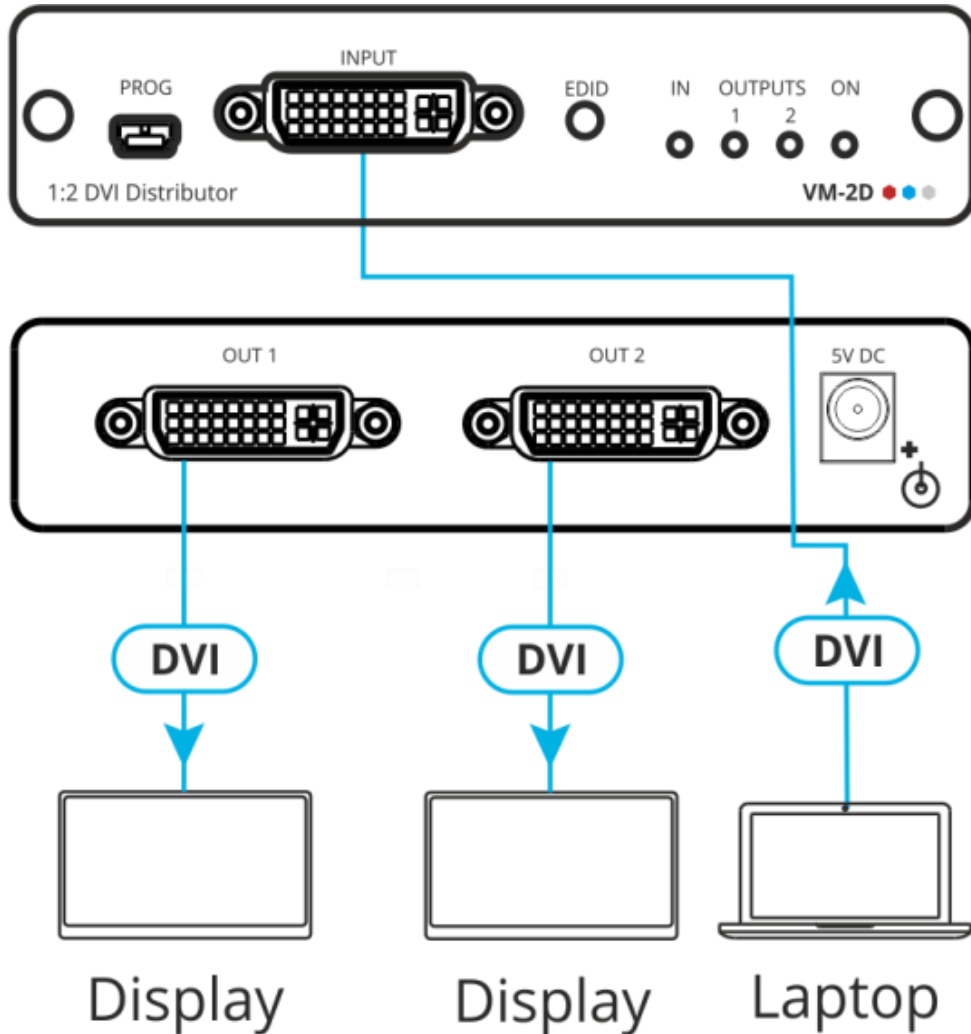
- Attach the rubber feet and place the unit on a flat surface.
- Fasten a bracket (included) on each side of the unit and attach it to a flat surface (see www.kramerav.com/downloads/VM-2D).
- Mount the unit in a rack using the recommended rack adapter (see www.kramerav.com/product/VM-2D).



- Ensure that the environment (e.g., maximum ambient temperature & air flow) is compatible for the device.
- Avoid uneven mechanical loading.
- Appropriate consideration of equipment nameplate ratings should be used for avoiding overloading of the circuits.
- Reliable earthing of rack-mounted equipment should be maintained.
- Maximum mounting height for the device is 2 meters.

Step 4: Connect inputs and outputs

Always switch OFF the power on each device before connecting it to your VM-2D.



To achieve specified extension distances, use the recommended Kramer cables available at www.kramerav.com/product/VM-2D. Using third-party cables may cause damage!

Step 5: Connect power

Connect the power cord to VM-2D and plug it into the mains electricity.

Safety Instructions (See www.kramerav.com for updated safety information)

Caution:

- For products with relay terminals and GPIO ports, please refer to the permitted rating for an external connection, located next to the terminal or in the User Manual.
- There are no operator serviceable parts inside the unit.

Warning:

- Use only the power cord that is supplied with the unit.
- Disconnect the power and unplug the unit from the wall before installing.