



Scan for full manual

VM-114H2C Quick Start Guide

This guide helps you install and use your VM-114H2C for the first time.

Go to www.kramerav.com/downloads/VM-114H2C to download the latest user manual and check if firmware upgrades are available.

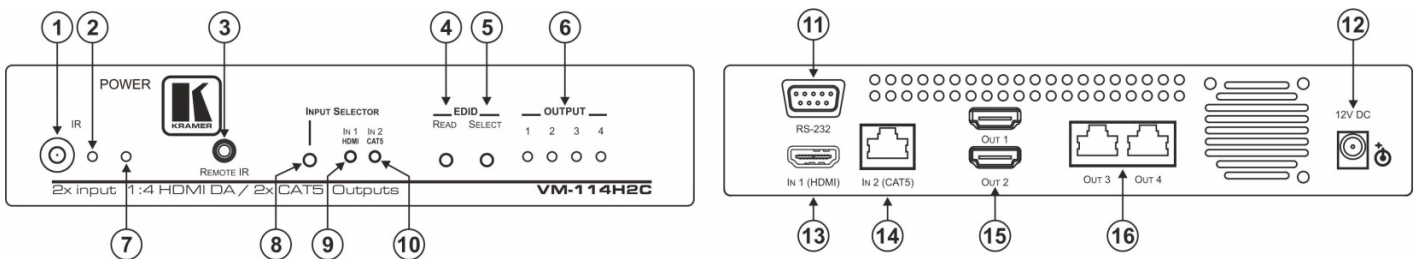
Step 1: Check what's in the box

- ✓ VM-114H2C 2 Input 1:4 HDMI DA/2x CAT5 Outputs
 - ✓ IR remote control transmitter with batteries
- ✓ 1 Set of rack ears
 - ✓ 1 Power supply (12V DC)
- ✓ 4 Rubber feet
 - ✓ 1 Quick start guide

IMPORTANT NOTICE!

We highly recommend using only Kramer UNIKAT cables with these products. If using 3rd party shielded CAT-6A cables, both ends of the shield must be soldered to the connectors for the products to function properly. Do not use any jumpers, unshielded wall plates or mid-span cable connections. These extenders are not compatible with HDBaseT technologies. Prior to signal extension, ensure that the extension line cable is lying straight and not coiled.

Step 2: Get to know your VM-114H2C



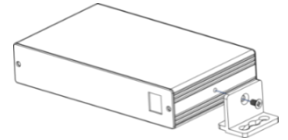
#	Feature	Function
1	IR Remote Control Sensor	Sensor for the remote-control IR transmitter
2	IR LED	Lights yellow when receiving signals from the IR remote control transmitter
3	REMOTE IR 3.5mm Mini Jack	Connect to a remote IR sensor
4	EDID READ Button	Press (when one of the output LEDs is flashing to indicate a selected output) to read the selected EDID
5	EDID SELECT Button	Press repeatedly to cycle through the outputs to select from which one to read the EDID. The relevant LED flashes
6	OUTPUT 1~4 LEDS	The relevant LED lights green when an acceptor is connected to the output Also lights or flashes during EDID setup (see Section 5.2)
7	POWER LED	Lights green when the unit receives power
8	INPUT SELECTOR Button	Press to select an input. The relevant IN 1 HDMI/IN 2 CAT5 LED lights
9	IN1 HDMI LED	Lights green when HDMI input 1 is selected
10	IN2 CAT5 LED	Lights green when the TP CAT 5 input 2 is selected
11	RS-232 9-pin D-sub (F) Connector	Connect to a PC or remote controller
12	12V DC Power Connector	Connect to the +12V DC power adapter, center pin positive
13	IN1 (HDMI) Input HDMI Connector	Connect to an HDMI source
14	IN2 (CAT5) Input RJ-45 Connector	Connect to a TP source
15	OUT 1, OUT 2 HDMI Connector	Connect to the HDMI acceptors
16	OUT 3, OUT 4 TP RJ-45 Connector	Connect to the TP acceptors

The terms HDMI, HDMI High-Definition Multimedia Interface, and the HDMI Logo are trademarks or registered trademarks of HDMI Licensing Administrator, Inc.

Step 3: Mount VM-114H2C

Install VM-114H2C using one of the following methods:

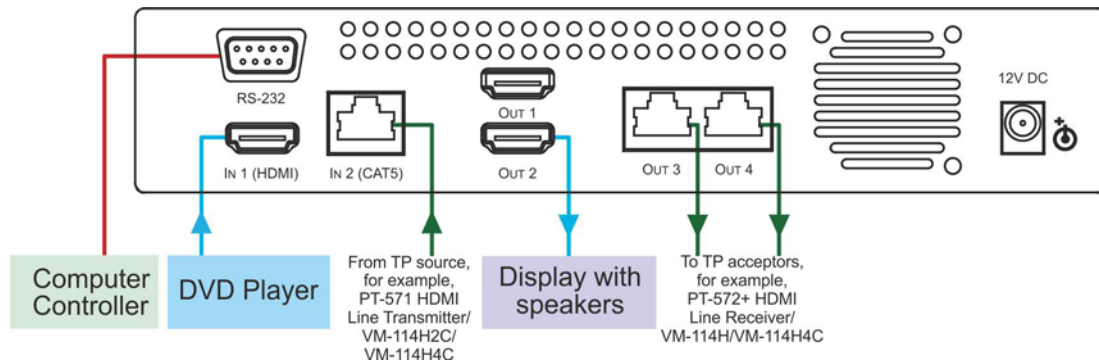
- Attach the rubber feet and place the unit on a flat surface.
- Fasten a bracket (included) on each side of the unit and attach it to a flat surface (see www.kramerav.com/downloads/VM-114H2C).
- Mount the unit in a rack using the recommended rack adapter (see www.kramerav.com/product/VM-114H2C).



- Ensure that the environment (e.g., maximum ambient temperature & air flow) is compatible for the device.
- Avoid uneven mechanical loading.
- Appropriate consideration of equipment nameplate ratings should be used for avoiding overloading of the circuits.
- Reliable earthing of rack-mounted equipment should be maintained.

Step 4: Connect inputs and outputs

Always switch OFF the power on each device before connecting it to your VM-114H2C.



To achieve specified extension distances, use the recommended Kramer cables available at www.kramerav.com/product/VM-114H2C. Using third-party cables may cause damage!

Step 5: Connect power

Connect the power cord to VM-114H2C and plug it into the mains electricity.

Safety Instructions (See www.kramerav.com for updated safety information)

Caution:

- For products with relay terminals and GPIO ports, please refer to the permitted rating for an external connection, located next to the terminal or in the User Manual.
- There are no operator serviceable parts inside the unit.

Warning:

- Use only the power cord that is supplied with the unit.
- Disconnect the power and unplug the unit from the wall before installing.

Step 6: Operate VM-114H2C

Acquire the EDID from a connected output.

1. Press the EDID SELECT button to cycle through the EDID sources in the following order:
 - Output 1 (Output 1 LED lights)
 - Output 2 (Output 2 LED lights)
 - Output 3 (Output 3 LED lights)
 - Output 4 (Output 4 LED lights)
 - Default EDID (all LEDs light)
 - Auto-Mix EDID (the LEDs flash in a running sequence)
2. To store the EDID, press EDID READ and the EDID is acquired.

Default communication parameters for the VM-114H2C.

RS-232	
Protocol 2000	
Baud Rate:	9600
Data Bits:	8
Stop Bits:	1
Parity:	None
Command Format:	HEX
Example (Output 1 to Input 1):	0x01, 0x81, 0x81, 0x81