



Scan for full manual

VIA Connect PRO Quick Start Guide For Installer

This guide helps you install and configure your **VIA Connect PRO** for the first time.

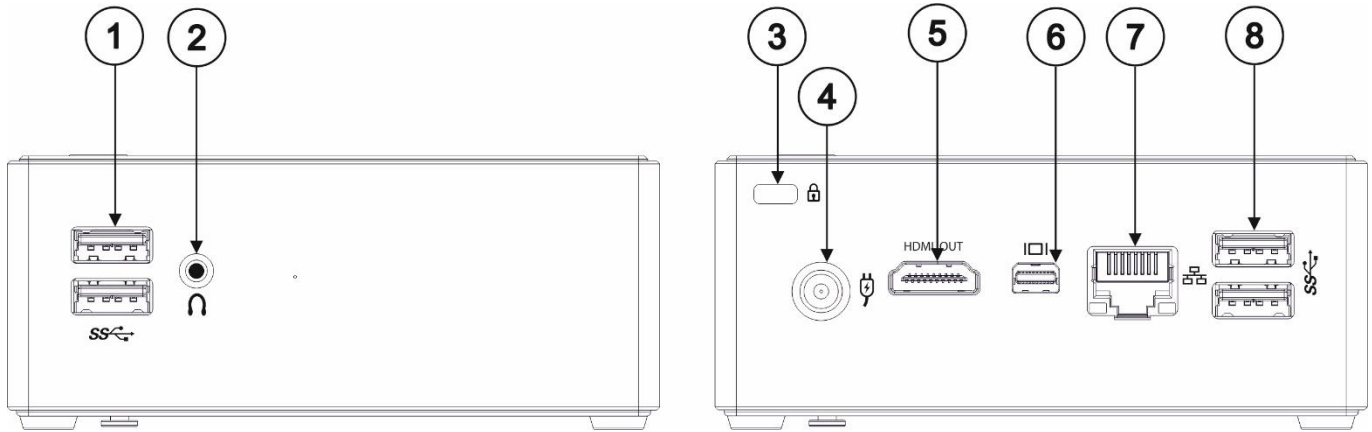
Go to [www.kramerav.com/downloads/VIA Connect PRO](http://www.kramerav.com/downloads/VIA_Connect_PRO) to download the latest user manual and check if firmware upgrades are available.



Step 1: Check what's in the box

- ✓ VIA Connect PRO Collaboration Device
- ✓ 1 VESA mounting bracket
- ✓ 1 Quick start guide
- ✓ 1 Power adapter (19V DC)

Step 2: Get to know your VIA Connect PRO



#	Feature	Function
1	USB 3.0 Connectors	Connect to up to two USB devices.
2	Audio Output 3.5mm Mini Jack	Connect to earphones or powered speakers.
3	Security Slot	Connect to a security lock cable.
4	Power Connector	Connect to the 19V DC power adapter.
5	HDMI™ OUT Connector	Connect to an HDMI acceptor.
6	Mini DisplayPort Connector	Connect to a Mini DisplayPort acceptor.
7	LAN RJ-45 Connector	Connect to a LAN network or to a wireless router.
8	USB 3.0 Connectors	Connect to up to two USB devices.

The terms HDMI, HDMI High-Definition Multimedia Interface, and the HDMI Logo are trademarks or registered trademarks of HDMI Licensing Administrator, Inc.

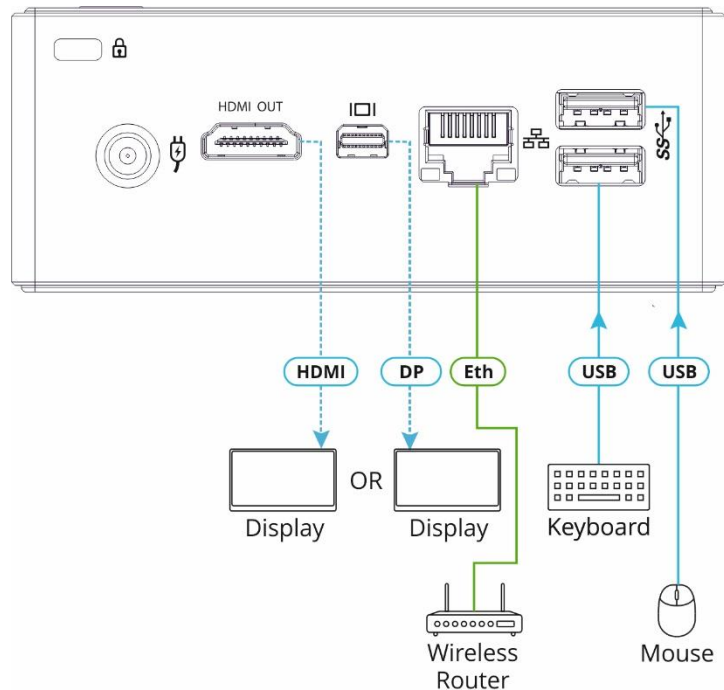
Step 3: Install VIA Connect PRO

Install **VIA Connect PRO** using one of the following methods:

- Install the mounting plate on a wall with the 4 screws, insert the 2 hand-tightened screws into the bottom of the device, and mount the device on the mounting plate using the 2 screws.
- Place the device on a flat surface.

Step 4: Connect the inputs and outputs

Always switch OFF the power on each device before connecting it to your **VIA Connect PRO**. For best results, we recommend that you always use Kramer high-performance cables to connect AV equipment to **VIA Connect PRO**. Using third-party cables may cause damage!



1. Connect the keyboard and mouse.
2. Connect one display (HDMI or Mini DisplayPort). Note: Only one display can be connected at a time.
3. Connect a Local Area Network (LAN) cable for connection to your network.
OR
Use a wireless router for connecting to the device with Wi-Fi.

Step 5: Connect the power

Connect the 19V DC power adapter to **VIA Connect PRO** and plug it into the mains electricity.

Safety Instructions (DC)



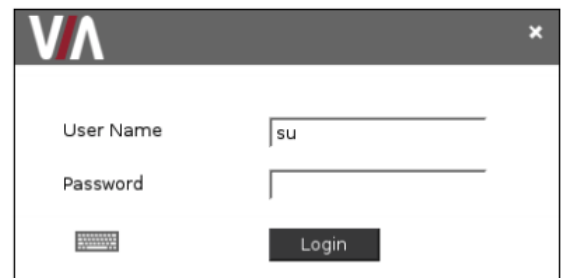
- Caution:** There are no operator serviceable parts inside the unit.
- Warning:** Use only the Kramer Electronics power adapter that is provided with the unit.
- Warning:** Disconnect the power and unplug the unit from the wall before installing.

See www.KramerAV.com for updated safety information.

Step 6: Configure VIA Connect PRO

A wizard guides you through configuration. If you choose to skip the wizard, follow these steps for configuration:

1. On the **Kramer VIA** dashboard, click **Features > Settings**.
2. Enter the User Name (default = su) and Password (default = supass) and click **Login**.
The VIA Settings window appears.
3. The VIA Settings tabs are:
 - LAN Settings – Configure your network parameters and apply settings (DHCP is enabled by default).
 - System Controls – Manage your display and audio settings, run control panel, select your language, etc.
 - Wi-Fi (with USB to Wi-Fi dongle connected) – Set up your Wi-Fi adapter as a secondary access point or attach your unit as a client device to your main Wi-Fi network.
4. When you have finished defining settings, click **Reboot** to apply all settings. For more details, see the VIA Connect PLUS User Manual.





Scan for full manual

VIA Connect PRO Quick Start Guide For User

This guide helps you participate in a meeting using **VIA Connect PRO**.

Go to www.kramerav.com/downloads/VIA Connect PRO to download the latest user manual.



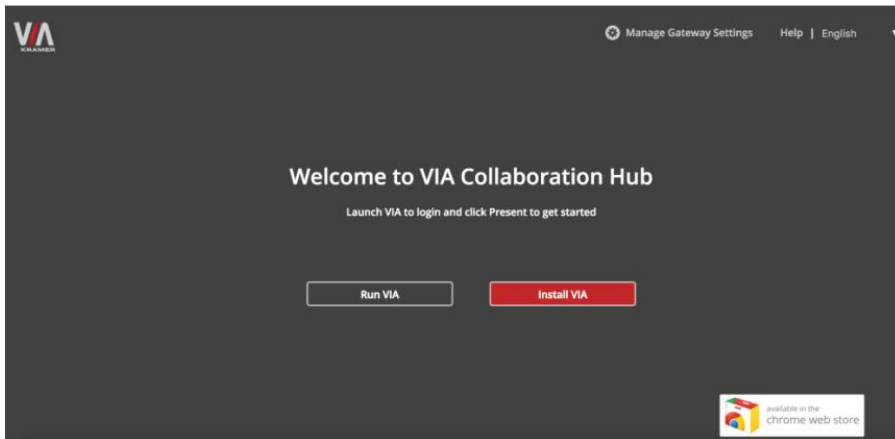
Step 1: Connect your personal device to the proper network

Connect your personal device to the same Wi-Fi network used by the specific **VIA Connect PRO** device in your meeting room.

Step 2: Run or Download the Kramer VIA app

For MAC or PC computer:

1. Enter the Room Name of the **VIA Connect PRO** device into your computer's browser. The Welcome page of **VIA Connect PRO** web pages appears.



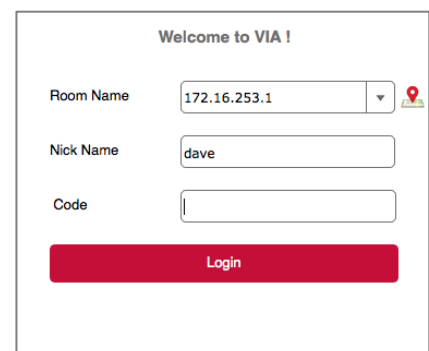
2. Select **Run VIA** to execute the **Kramer VIA** app without downloading it. (Intended for guests who are using VIA only temporarily.)
OR
Select **Install VIA** to download the **Kramer VIA** app onto your computer. (Intended for regular users of the VIA.)

For iOS or Android devices:

- Download and install the free **Kramer VIA** app from Apple App Store or Google Play.

Step 3: Join the meeting using Kramer VIA app

1. In the Room Name field of your Kramer VIA login window, enter the room name as it appears on the main display wallpaper (IP address of the **VIA Connect PRO** device).
2. In the Nickname field, enter a name for your device. This name appears on the main display when you present content.
3. In the Code field, enter the 4-digit code as it appears in the lower left of the main display (if enabled).
4. Click **Login** to join the meeting.



Step 4: Using the VIA dashboard menu



- Click **Features** to access **VIA Connect PRO** features.
- Click **Present** to present your screen to the meeting participants on the main display.
- Click **Participants** to see who else is connected.

Step 5: VIA Connect PRO Features

For a complete, updated list of available features go to: www.true-collaboration.com/products.html#



Wireless Connection

Connect wirelessly with your own device



Digital Signage (available as an optional license)

Display dynamic content on the main display during meeting downtime



Powerful Content Security

User authentication, 1024-bit data encryption, dynamic room code



View Main Display

View the main display on your own device



Mobile Mirroring

Show any content from your iOS or Android device on the main display



Streaming Output

Stream all collaboration activity from the main display to any H264 decoder



Full HD Video Streaming

Share uninterrupted full HD wireless video streaming (up to 1080p60) and photos



File Storage

Drag and drop files to the Files folder to share instantly with other users



Integrated YouTube Player

Create playlists, share videos or drag and drop any YouTube clip to your VIA app for seamless video playback



File Sharing

Share any size file with any number of participants



Do Not Disturb (DND)

Give the presenter complete control by disabling collaboration features



Whiteboard

Annotate, illustrate and edit shared documents: touch-screen compatible



Customizable Features

Enable or disable features based on need



Chat

Send an instant message to another participant



VIA Pad Compatible

Touch-and-Present USB device for laptops



Enable Control

Give a participant control over a presenter's MAC ® or PC laptop



VIA Site Management (VSM)

Monitor, control and get actionable analytics from all VIA devices on the network; schedule firmware updates, and more