



Scan to see website

T-IN2-REC2, T-IN4-REC2, T-IN6-REC2

Quick Start Guide

This guide helps you install and use your T-IN2-REC2, T-IN4-REC2, T-IN6-REC2 for the first time.

Go to www.kramerav.com/downloads/T-IN2-REC2, www.kramerav.com/downloads/T-IN4-REC2 & www.kramerav.com/downloads/T-IN6-REC2 to download the latest user manual and check if firmware upgrades are available.

Step 1: Check What's in the Box



The color of the sheet metal box, locking device, and magnet frame are supplied in the same color as selected for the TBUS.

- ✓ Enclosure sheet metal box (identical to selected TBUS color)
- ✓ Black/White locking device (identical to selected TBUS color)
- ✓ Magnet frame (according to the requested TBUS color)
- ✓ Cutout template



For White or Aluminum frame and/or White locking device, order separately frame and locking device accordingly.

Step 2: Table Cutout Dimensions

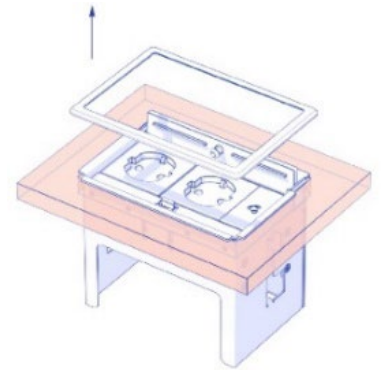
- T-IN2-REC2 - 134 X 89mm (5.28" x 3.5")
- T-IN4-REC2 - 234 X 89mm (9.21" x 3.5")
- T-IN6-REC2 - 334 X 89mm (13.15" x 3.5")



Kramer recommends using the cutout template (packed with device) and a hole saw for maximal accuracy.

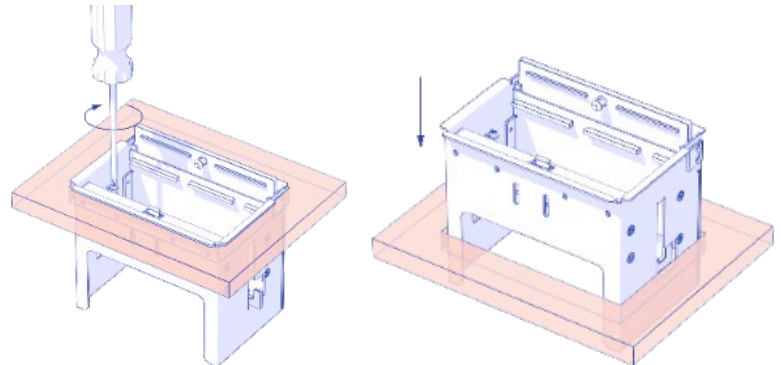
Step 3: Remove Outer Frame

Remove the magnet frame and place it aside.



Step 4: Place Enclosure – Fasten Screws

1. Keep screws until the 'dog ear' is fastened to the table.
2. Fit to standard table thickness between 10-50 mm (0.39" - 1.97").

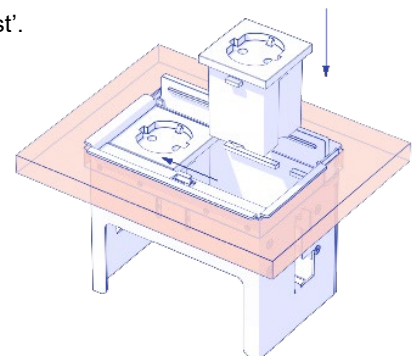
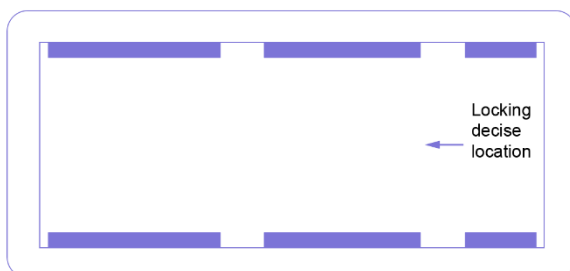


Step 5: Slide Modules



Some modules are missing grooves – please follow the comments in the 'Modules list'.

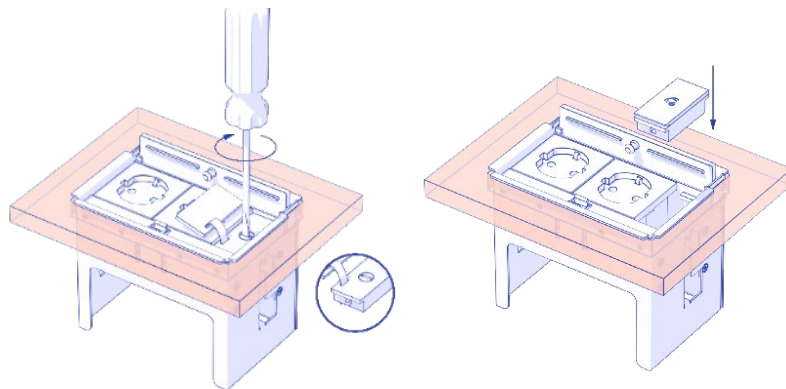
Locking devise should be placed on narrow slides as shown below.



* Modules listed in Modules List section

Step 6: Lock Module

1. Lift the cover plate and place locking device in position.
2. Lock the inserts by half a turn with a screwdriver.
3. Place back the cover plate.



Step 7: Place Outer Frame

Locate the magnet frame in position.

