



Scan to see website

T-IN1-RND1 & T-IN2-RND1

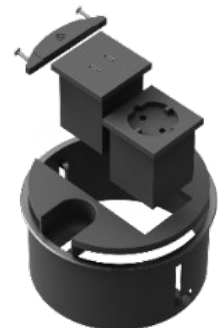
Quick Start Guide

This guide helps you install and use your T-IN1-RND1 & T-IN2-RND1 for the first time.

Go to www.kramerav.com/downloads/T-IN1-RND1 & www.kramerav.com/downloads/T-IN2-RND1 to download the latest user manual and check if firmware upgrades are available.

Step 1: Check What's in the Box

- ✓ Enclosure sheet metal
- ✓ Locking device
- ✓ Inner frame
- ✓ Cutout template



 Available in 2 colors: Black - RAL 9011 and White – RAL 9002

Step 2: Table Cutout Dimensions

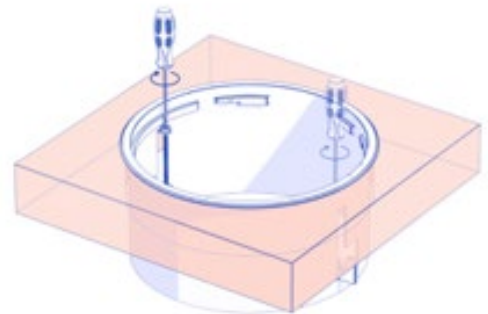
- T-IN1-RND1 - Ø108mm (4-¼")
- T-IN2-RND2 - Ø139mm (5-½")



Kramer recommends using the cutout template (packed with device) and a hole saw for maximal accuracy.

Step 3: Place Enclosure – Fasten Screws

1. Keep screws until the 'dog ear' is fastened to the table.
2. Fit to standard table thickness between 10-50 mm (0.39" - 1.97").



Step 4: Slide the Chosen Module(s) and Insert Cable into Pass-through Holes

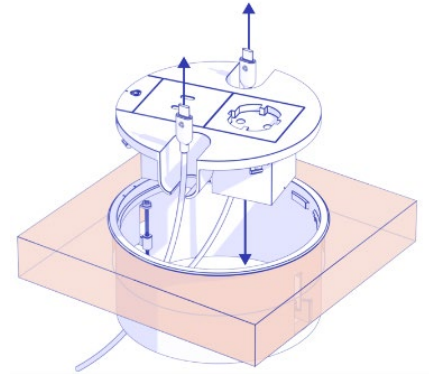
1. Slide the chosen module(s) and use a screwdriver to lock the locking device.
2. Insert cable heads in the pass-through holes.



Modules listed in Modules List section

Step 5: Place Inner Frame

1. Place the inner frame into its position.



Step 6: Lock Inner Frame

1. Place the insert marking line to be aligned with the right enclosure marking line.
2. Slightly rotate the inner frame counterclockwise so the other lines on the inner frame and the enclosure line are aligned.
3. To remove the inner frame, rotate the inner frame clockwise (see unlocked figure)

