



Scan for full manual

SID-X1N Quick Start Guide

This guide helps you install and use your SID-X1N for the first time.

Go to www.kramerav.com/downloads/SID-X1N to download the latest user manual and check if firmware upgrades are available.

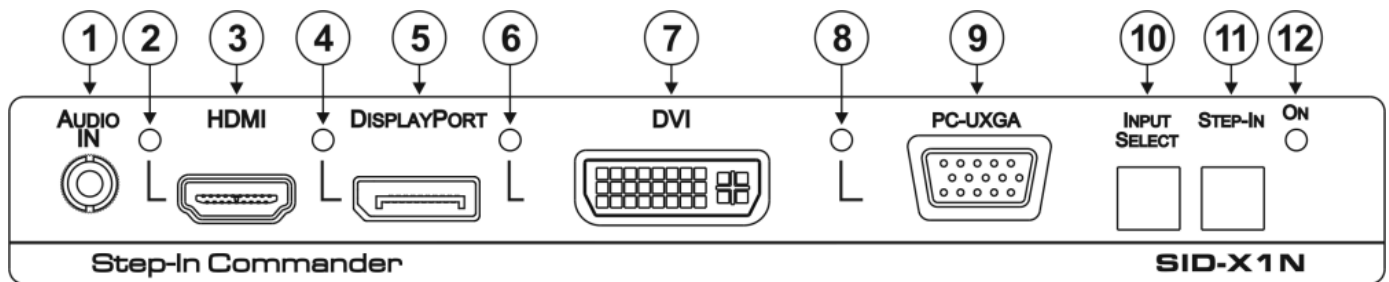
Step 1: Check what's in the box

- ✓ SID-X1N Step-in Commander
- ✓ 1 Set of rack ears
- ✓ 1 Power adapter (12V DC output)
- ✓ 1 Power cord

IMPORTANT NOTICE!

i We highly recommend using only Kramer UNIKAT cables with these products. If using 3rd party shielded CAT-6A cables, both ends of the shield must be soldered to the connectors for the products to function properly. Do not use any jumpers, unshielded wall plates or mid-span cable connections. These extenders are not compatible with HDBaseT technologies. Prior to signal extension, ensure that the extension line cable is lying straight and not coiled.

Step 2: Get to know your SID-X1N



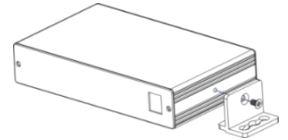
#	Feature	Function
1	AUDIO IN 3.5mm Mini Jack	Connect to an unbalanced stereo audio source
2	HDMI	LED
3		HDMI Connector
4	DisplayPort	LED
5		DP Connector
6	DVI	LED
7		DVI Connector
8	PC-UXGA	LED
9		PC-UXGA 15-pin HD Connector (F)
10	INPUT SELECT Button	Press repeatedly to cycle through the inputs manually to select an input, (overrides automatic selection). Note: When the button is lit it is inactive and pressing the button will not activate the input
11	STEP-IN Button	Press to activate the input on the switcher that the SID-X1N is connected to
12	ON LED	Lights green when the device is powered on

The terms HDMI, HDMI High-Definition Multimedia Interface, and the HDMI Logo are trademarks or registered trademarks of HDMI Licensing Administrator, Inc.

Step 3: Mount SID-X1N

Install SID-X1N using one of the following methods:

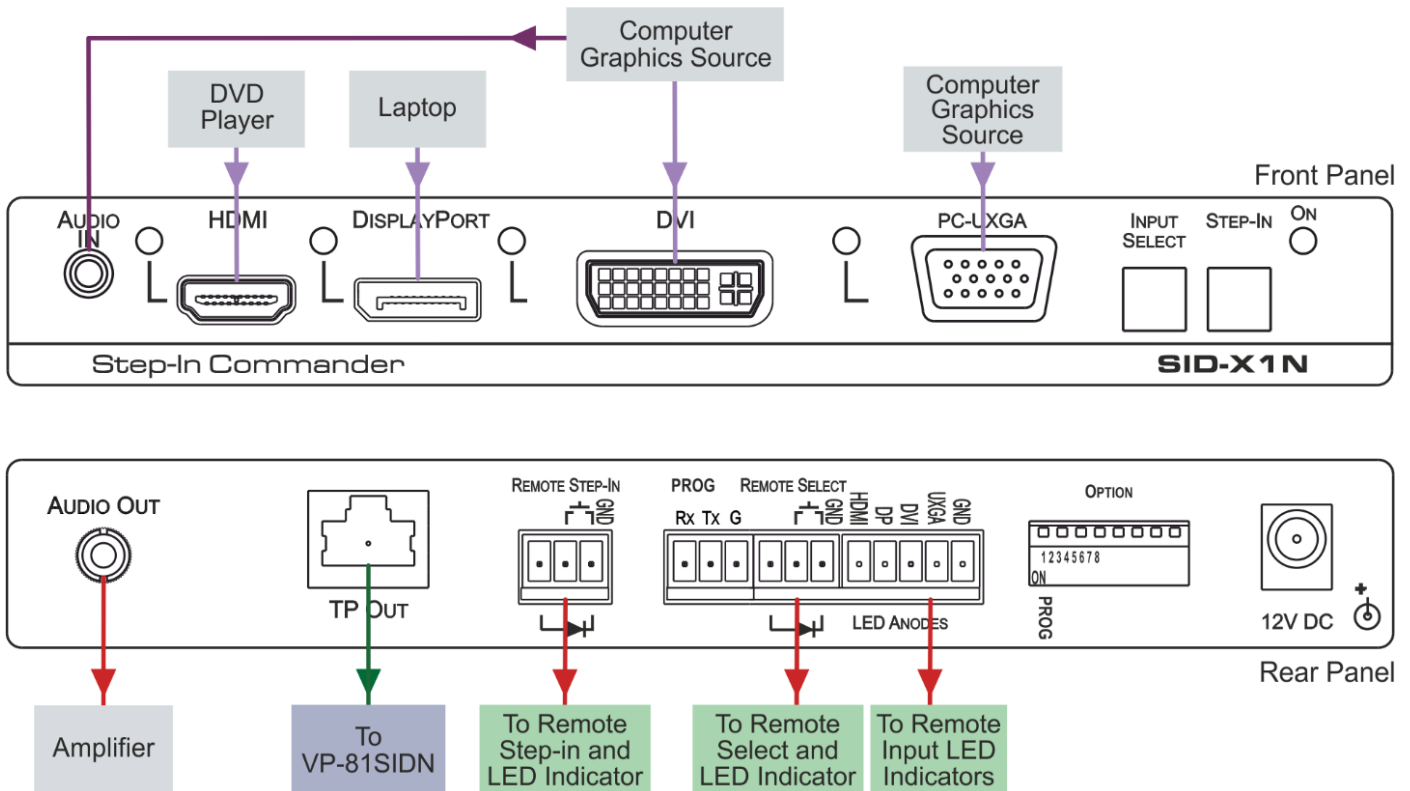
- Attach the rubber feet and place the unit on a flat surface.
- Fasten a bracket (included) on each side of the unit and attach it to a flat surface (see www.kramerav.com/downloads/SID-X1N).
- Mount the unit in a rack using the recommended rack adapter (see www.kramerav.com/product/SID-X1N).



- Ensure that the environment (e.g., maximum ambient temperature & air flow) is compatible for the device.
- Avoid uneven mechanical loading.
- Appropriate consideration of equipment nameplate ratings should be used for avoiding overloading of the circuits.
- Reliable earthing of rack-mounted equipment should be maintained.

Step 4: Connect inputs and outputs

Always switch OFF the power on each device before connecting it to your SID-X1N.



To achieve specified extension distances, use the recommended Kramer cables available at www.kramerav.com/product/SID-X1N.
Using third-party cables may cause damage!

Step 5: Connect power

Connect the power cord to SID-X1N and plug it into the mains electricity.

Safety Instructions (See www.kramerav.com for updated safety information)

Caution:

- For products with relay terminals and GPIO ports, please refer to the permitted rating for an external connection, located next to the terminal or in the User Manual.
- There are no operator serviceable parts inside the unit.

Warning:

- Use only the power cord that is supplied with the unit.
- Disconnect the power and unplug the unit from the wall before installing.



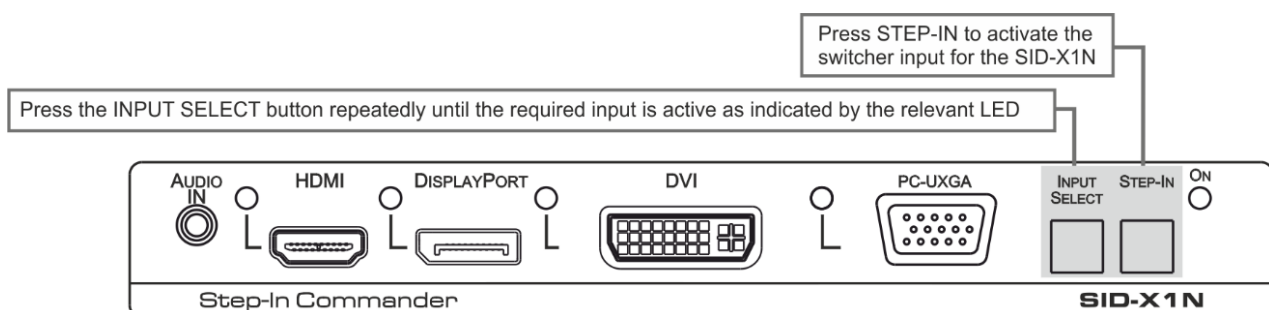
Step 6: Set DIP-switches

#	Feature	Function	DIP-switch
1	Program	Enables firmware updates	On—Enable updating Off—Disable updating
2	General audio control	Selects whether the analog audio is embedded in the outputs	On—Use embedded audio for HDMI and DP; the audio selection for DVI is selected by DIP-switch 3 Off—The HDMI, DVI and DP inputs use the analog audio signal if a 3.5mm audio jack is inserted into the analog audio input. If no jack is inserted, they use their embedded audio signals
3	DVI audio control (active only when DIP-switch 2 is on)	Selects whether the analog audio is embedded in the DVI signal	On—When switch #2 is on, the analog audio signal is used with the DVI input Off—When switch #2 is off, the embedded audio signal is used in the DVI input
4	Video mode input selection	Sets the video input selection mode to either last connected or manual	On—Last connected Off—Manual
5	Lock EDID	Locks the current EDID	On—Locked EDID Off—Automatic EDID selection
6	Switching delay	Selects the time delay before switching occurs when an input signal is lost. Note: The delay is independent of the input switching mode	When the input signal is lost but the cable is not removed: On—0.5 seconds Off—10 seconds When the cable is removed: On—0.5 seconds Off—3 seconds
7	Output disable delay	Sets the delay time between loss of the input signal and output/PowerConnect shutdown	On—1 minute Off—15 minutes
8	Output Power Control	Enables/disables the output power when the input signal is lost	On—Power is always on Off—Power is disabled when input signal is lost after delay set by DIP-switch 7



DIP-switch 2 must be set to ON to enable DIP-switch 3 to control the DVI audio mode selection.

Step 7: Operate SID-X1N



Optional: Lock the current EDID if required.

Step 8: Technical Specifications

INPUTS:	Video:	1 HDMI on an HDMI connector 1 DP on a DisplayPort connector 1 DVI-D on a DVI-I connector 1 VGA on a 15-pin HD (F) connector
	Audio:	1 Unbalanced stereo audio on a 3.5mm mini jack
OUTPUTS:	1 TP on an RJ-45 1 Unbalanced stereo audio in a 3.5mm mini jack	
PORTS:	1 RS-232 3-pin terminal block for programming	
CONTROLS:	Front panel buttons, remote step-in switch, remote input selection switches, RS-232	
ANALOG AUDIO INPUT:	Maximum level—3Vpp	
REMOTE LED IMPEDANCE:	5V, 300Ω approx.	
STANDARDS:	HDMI with x.v.Color™ and 3D HDCP: Works with sources that support HDCP repeater mode	
MAXIMUM DATA RATE:	4.95Gbps (1.65Gb per graphics channel)	
MAXIMUM STEP-IN DISTANCE:	50m (164ft) up to 1080p @60Hz @24bpp	
POWER CONSUMPTION:	12V DC, 1.1A	
COMPLIANCE STANDARDS:	CE, UL	
OPERATING TEMPERATURE:	0° to +40°C (32° to 104°F)	
STORAGE TEMPERATURE:	-40° to +70°C (-40° to 158°F)	
HUMIDITY:	10% to 90%, RHL non-condensing	
COOLING:	Convection, vents	
ENCLOSURE TYPE:	Aluminum	
DIMENSIONS:	18.8cm x 11.3cm x 2.5cm (7.4" x 4.5" x 1") W, D, H rack-mountable	
WEIGHT:	0.48kg (1.1lbs) approx.	
INCLUDED ACCESSORIES:	Power adapter	
Specifications are subject to change without notice For the most updated resolution list, go to our Web site at www.kramerav.com		