



Scan for full manual

## RTBUS-28xl Quick Start Guide

This guide helps you install and use your RTBUS-28xl for the first time.

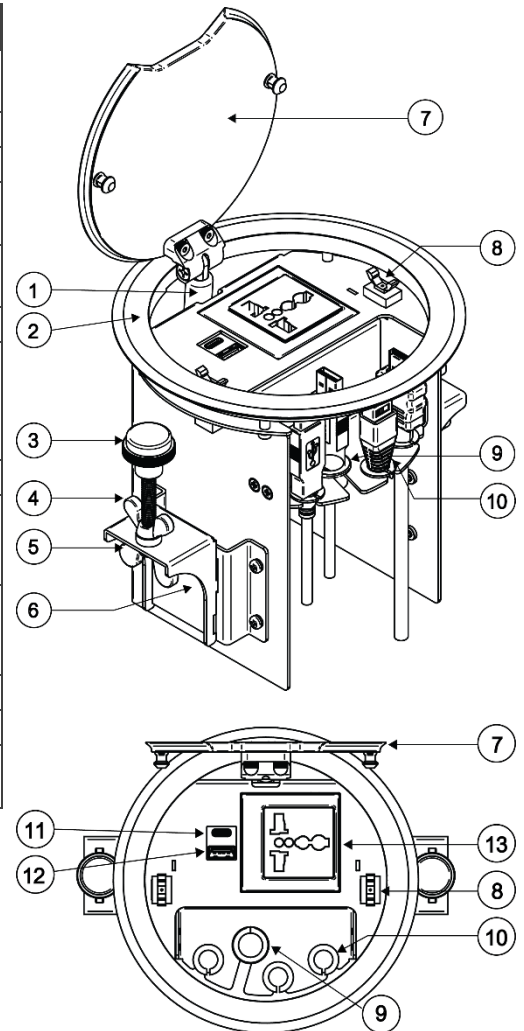
Go to [www.kramerav.com/manual/RTBUS-28xl](http://www.kramerav.com/manual/RTBUS-28xl) to download the latest user manual

### Step 1: Check What's in the Box

- ✓ RTBUS-28xl Round Table Connection Bus
- ✓ 1 User manual
- ✓ 1 Quick start guide

### Step 2: Get to know your RTBUS-28xl

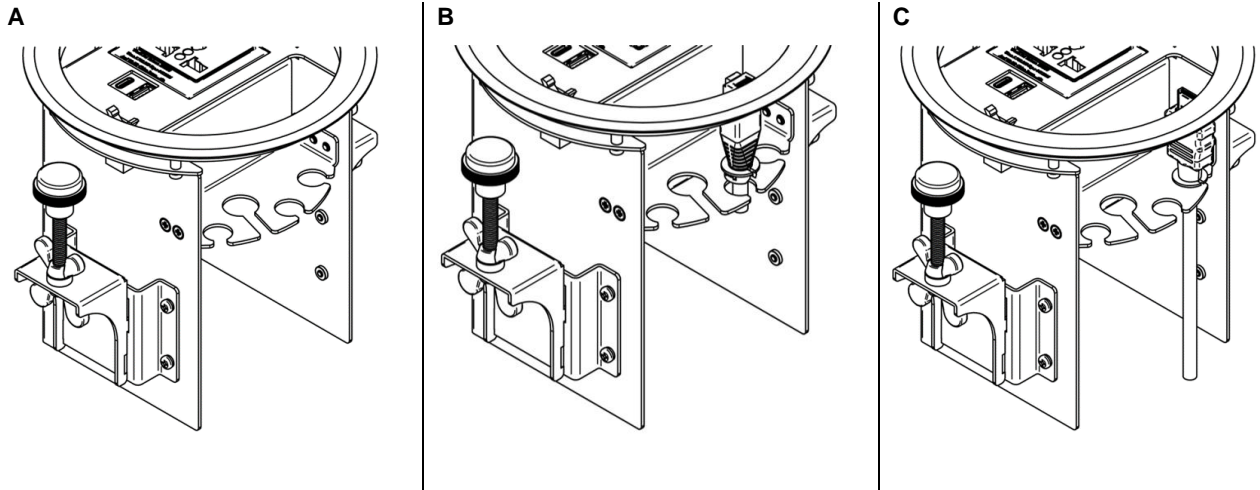
#	Feature	Function
1	Pneumatic Mechanism	Enables automatic lifting and smooth closing of the lid.
2	Outer Rim	Fits over the table surface.
3	Mounting Screws (x2)	For securing RTBUS-28xl to the table.
4	Locking Butterfly Nuts (x2)	Tighten to lock the mounting butterfly screw.
5	Mounting Butterfly Nuts (x2)	Tighten to secure the unit to the table surface.
6	Mounting Brackets (x2)	For securing the unit to the table surface.
7	Black Anodized or Brushed Aluminum Semi-Automatic Lid (with Opening for Cable Pass-Through)	Covers the connecting surface, leaving the table surface neat and tidy.
8	Lid Latch (x2)	For safely closing the lid.
9	Inner Pass-Through Opening and Bushing (x1)	Insert a cable through the opening and the bushing – for larger or multiple cables (inner diameter approx. 12.5mm Ø).
10	Pass-Through Opening and Bushing (x3)	Insert a cable through the opening and the bushing (inner diameter approx. 10 mm Ø).
11	5V-2.4A USB Charging Port	Use to charge a device.
12	5V-1A USB Charging Port	Use to charge a device.
13	5A MAX. Power Socket	Connect to a 90-240V AC power consuming device.



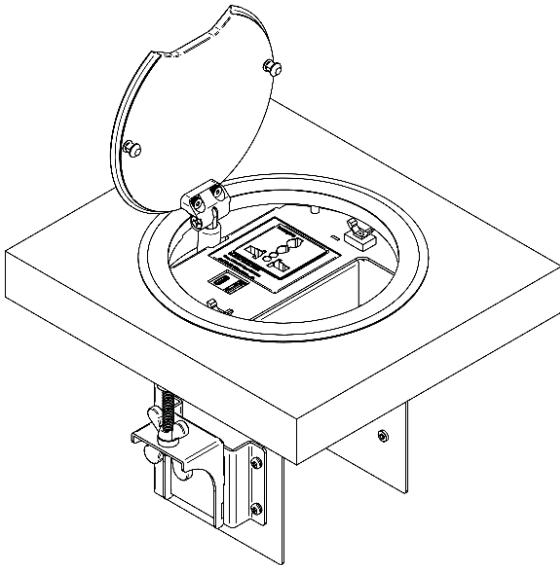
## Step 3: Install RTBUS-28xl

To mount the unit, follow these steps:

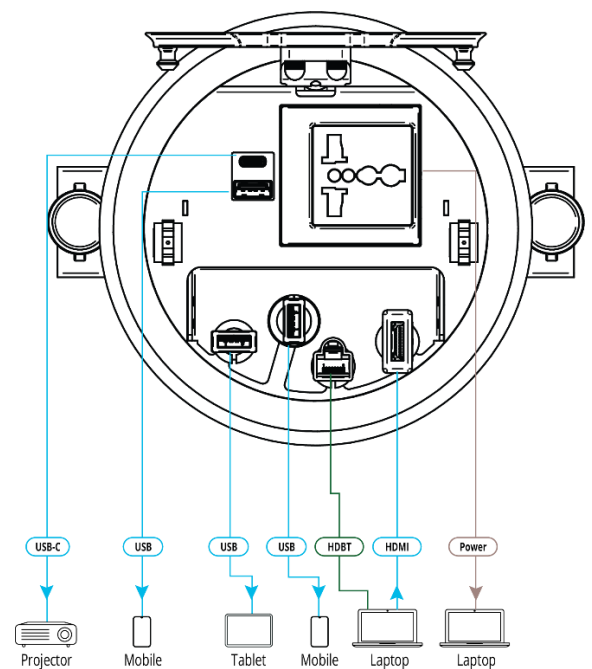
1. Cut a round hole in the table, in the desired location, with a diameter ranging from 140mm to 142mm (5.5" to 5.6").
2. Insert the cables through the pass-through openings:



3. Mount RTBUS-28xl into the table.



4. Connect the cables:  
Connect devices to the pass-through cables and power socket.



### Safety Instructions



**Caution:** There are no operator serviceable parts inside the unit.

**Warning:** Do not open the unit. High voltages can cause electrical shock! Servicing by qualified personnel only.

**Warning:** Disconnect the power and unplug the unit from the wall before installing.

See [www.KramerAV.com](http://www.KramerAV.com) for updated safety information.