



Scan for full manual

RTBUS-27xl Quick Start Guide

This guide helps you install and use your **RTBUS-27xl** for the first time.

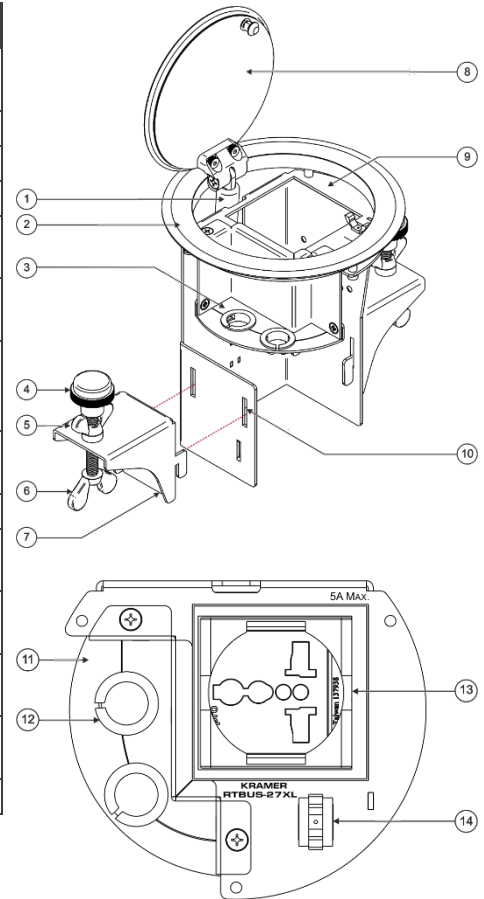
Go to www.kramerav.com/manual/RTBUS-27xl to download the latest user manual

Step 1: Check What's in the Box

- ✓ RTBUS-27xl Round Table Connection Bus
- ✓ 1 Clamp set
- ✓ 1 User manual
- ✓ 1 Quick start guide

Step 2: Get to know your RTBUS-27xl

#	Feature	Function
1	Pneumatic Mechanism	Enables automatic lifting and smooth closing of the lid.
2	Outer Rim	Fits over the table surface.
3	Lower Surface	Includes two pass-through openings.
4	Mounting Screws (x2)	For securing RTBUS-27xl to the table.
5	Locking Butterfly Nuts (x2)	Tighten to lock the mounting butterfly screw.
6	Mounting Butterfly Nuts (x2)	Tighten to secure the unit to the table surface.
7	Mounting Brackets (x2)	Place in the bracket slits after inserting the enclosure into the table – for securing the unit to the table surface.
8	Black anodized or brushed aluminum semi-automatic lid	Covers the connecting surface, leaving the table surface neat and tidy.
9	Upper Surface	Includes power socket opening.
10	Mounting Bracket Slits (two sets on each side)	Insert the mounting brackets to the slits when installing RTBUS-27xl .
11	Detachable Pass-through Bracket	Remove and re-install to insert cables.
12	Pass-Through Opening and Bushing (x2)	Insert a cable through the opening and the bushing.
13	5A MAX. Power Socket	Connects to 90-240V AC power consuming device.
14	Lid Latch	For safely closing the lid.



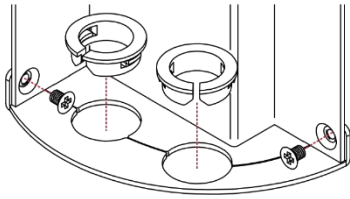
Step 3: Install RTBUS-27xl

To mount the unit, follow these steps:

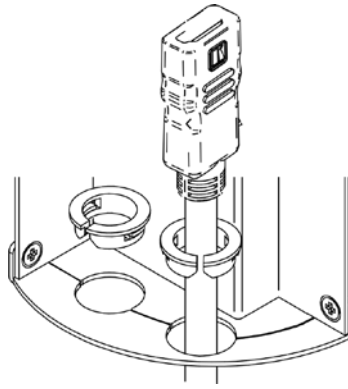
1. Using any standard cup bit drill with a diameter ranging from 111mm to 114mm (4.37" to 4.49"), drill a hole in the table in the desired location.
2. Install the power socket (purchased separately).
3. Remove the detachable bracket.

4. Insert the cables through the pass-through openings:

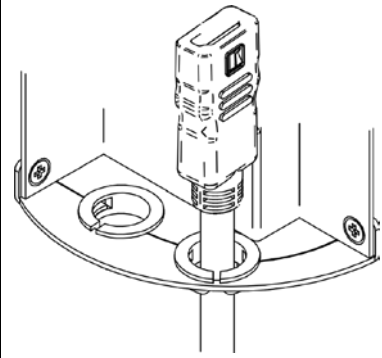
A



B

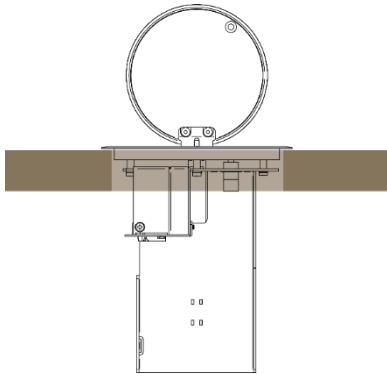


C

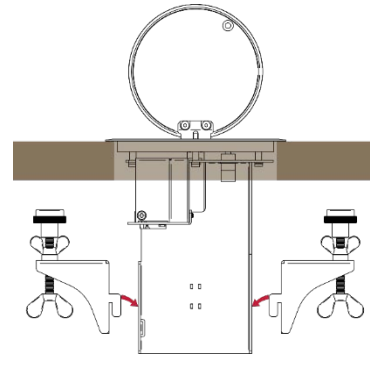


5. Mount RTBUS-27xl into the table:

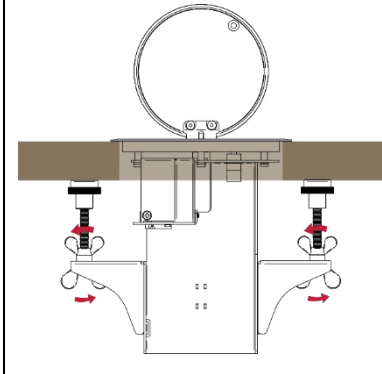
A



B



C



6. Connect the cables:
Connect devices to the pass-through cables and power socket.

Safety Instructions



Caution: There are no operator serviceable parts inside the unit.

Warning: Do not open the unit. High voltages can cause electrical shock! Servicing by qualified personnel only.

Warning: Disconnect the power and unplug the unit from the wall before installing.

See www.KramerAV.com for updated safety information.

