



Scan for full manual

PA-120NET / PA-240NET Quick Start Guide

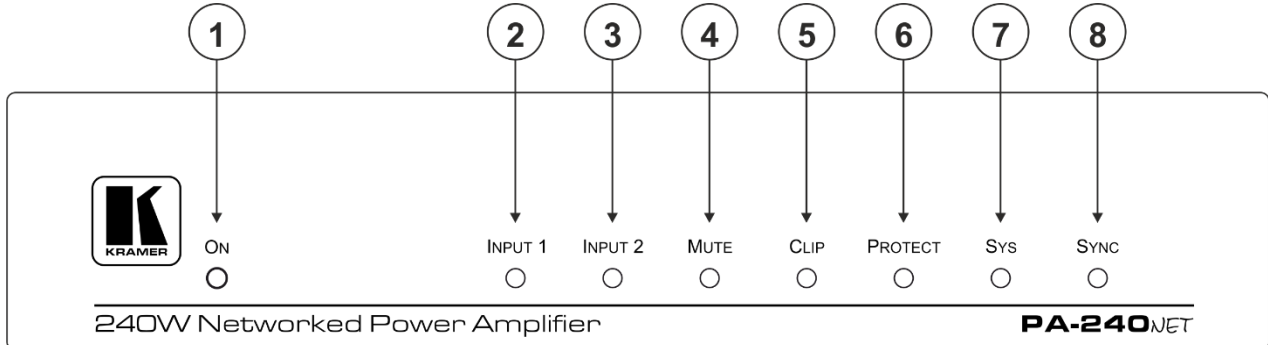
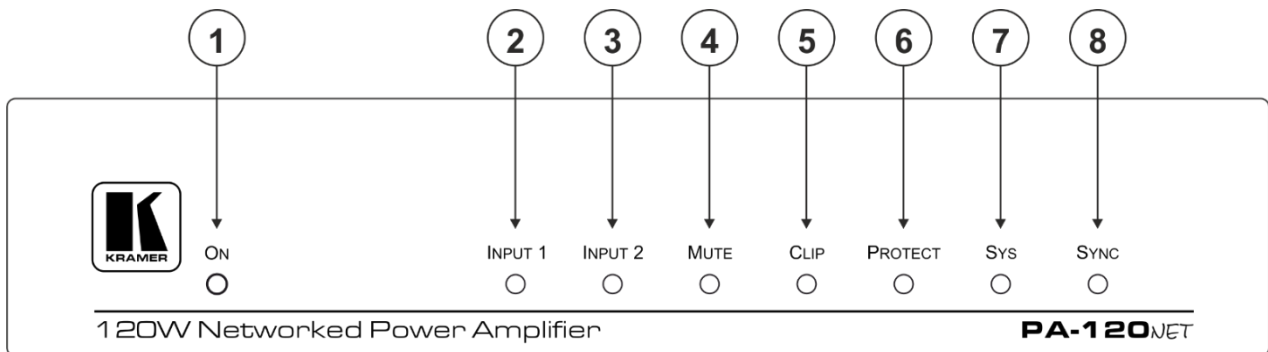
This guide helps you install and use your PA-120NET / PA-240NET for the first time.

Go to www.kramerav.com/downloads/PA-120NET to download the latest user manual and check if firmware upgrades are available.

Step 1: Check what's in the box

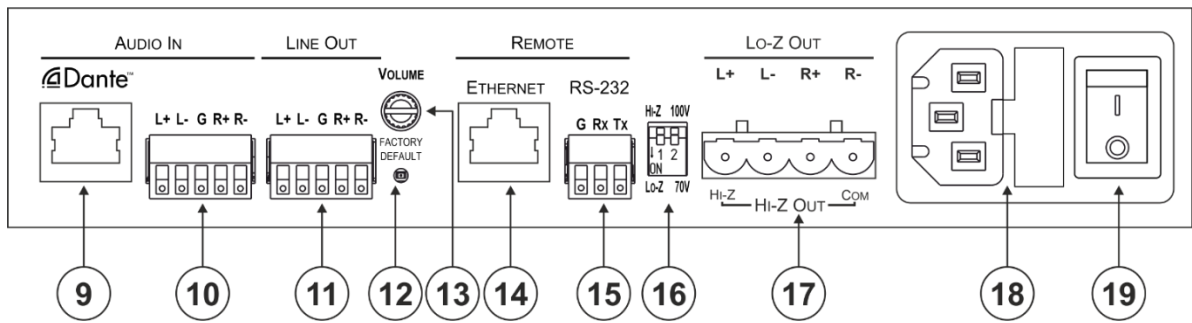
- ✓ PA-120NET / PA-240NET Power Amplifier
 - ✓ 1 Power cord
- ✓ 4 Rubber feet
 - ✓ 1 Quick start guide

Step 2: Get to know your PA-120NET / PA-240NET



#	Feature	Function
1	ON LED	Lights green when powered on, orange when in standby.
2	INPUT 1 LED	Lights green when a signal is present on input 1.
3	INPUT 2 LED	Lights green when a signal is present on input 2.
4	MUTE	Lights red when speakers output is muted.
5	CLIP LED	Lights red when the signal is clipped on the output and creating distortion. (When clipping is detected, lower the volume until the LED turns off.)
6	PROTECT LED	Lights red in case of over current / short / overheat. The device powers down until operation conditions are corrected and then powers up again.
7	SYS LED	SYS LED Lights green when Dante™ network is available; red if an error has occurred.
8	SYNC LED	Lights green for digital audio normal operation. Flashes green when this unit is the Master clock. Lights red if an error has occurred.



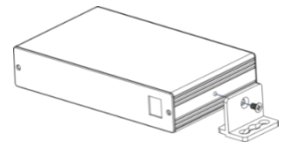


#	Feature	Function
9	Dante RJ-45 Port	Connect to the Dante™ audio source via the Network. By default, DHCP is enabled.
10	AUDIO IN Balanced/Unbalanced Stereo Audio 5-pin Terminal Block Connector	Connect to a line-level, balanced, stereo audio source.
11	LINE OUT Balanced Stereo Audio 5-pin Terminal Block Connector	Connect to a balanced, stereo audio acceptor (for example, amplified speakers).
12	FACTORY DEFAULT Button	Press to return to the factory default settings, including all the configurations and network settings.
13	VOLUME Attenuator	Master volume for speaker output – rotate to set the maximum amplifier volume.
14	ETHERNET RJ-45 Connector	Connect to an ETHERNET LAN to control the PA-120NET / PA-240NET via built-in web page. By default, IP is fixed at 192.168.1.39.
15	RS-232 (G, Rx, Tx) Port	Connect to an RS-232 connector on AV equipment or a PC or other Serial Controller.
16	Hi-Z/Lo-Z and 100V/70V DIP-Switches	DIP-Switch 1 Set to Hi-Z for high impedance and Lo-Z for low impedance. DIP-Switch 2 In Hi-Z mode, select 70V or 100V operation.
17	Lo-Z and Hi-Z Speaker Output Terminal Block Connector	Lo-Z – Connect left +, left -, right +, and right - to Lo-Z (4Ω or 8Ω) speakers. Hi-Z – connect Hi-Z and COM to 70V or 100V Hi-Z speakers. In Hi-Z mode, the output is mono and can be selected via webpage – Left channel to mono, or stereo sum to mono.
18	Power Connector with Fuse	AC connector, enabling power supply to the unit.
19	Mains Power Switch	Switch for turning the device on or off.

Step 3: Mount PA-120NET / PA-240NET

Install PA-120NET / PA-240NET using one of the following methods:

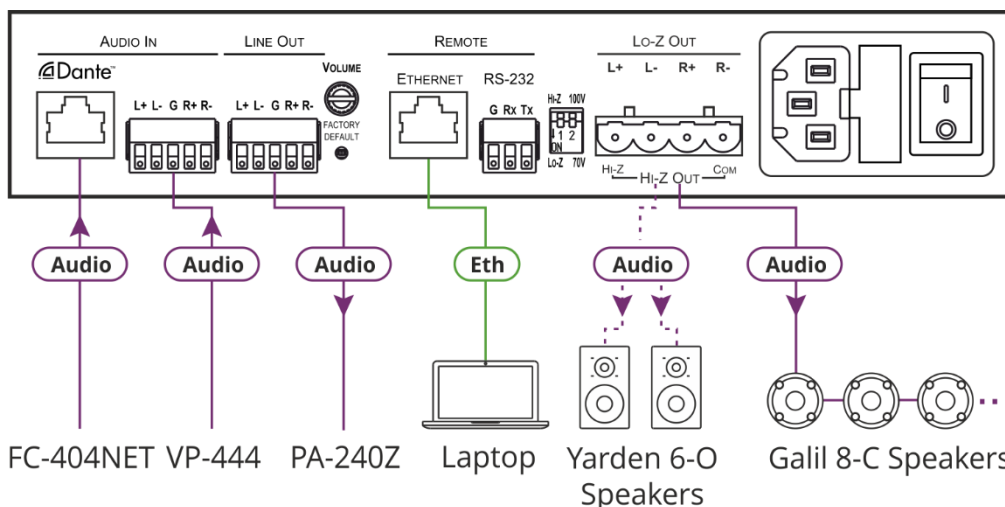
- Attach the rubber feet and place the unit on a flat surface.
- Mount the unit in a rack using the recommended rack adapter (see www.kramerav.com/product/PA-120NET).





- Ensure that the environment (e.g., maximum ambient temperature & air flow) is compatible for the device.
- Avoid uneven mechanical loading.
- Appropriate consideration of equipment nameplate ratings should be used for avoiding overloading of the circuits.
- Reliable earthing of rack-mounted equipment should be maintained.

Step 4: Connect inputs and outputs

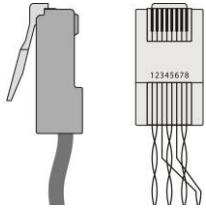
Always switch OFF the power on each device before connecting it to your PA-120NET / PA-240NET. For best results, we recommend that you always use Kramer high-performance cables to connect AV equipment to the PA-120NET / PA-240NET.



Lo-Z setup:

 Hi-Z 100V
 Lo-Z 70V
 Connect L+ and L- to left speaker; R+ and R- to right speaker.

Hi-Z setup:

 Hi-Z 100V
 Lo-Z 70V
 Connect Hi-Z and COM on the device to (+) and (-) on the speaker, respectively.

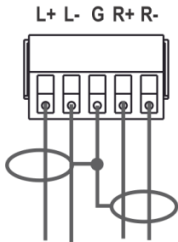
RJ-45 Pinout:



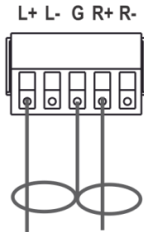
PIN EIA / TIA 568B			
PIN	Wire Color	PIN	Wire Color
1	Orange / White	5	Blue / White
2	Orange	6	Green
3	Green / White	7	Brown / White
4	Blue	8	Brown

Connect the audio line out:

to a balanced stereo audio acceptor:

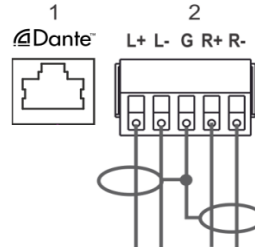


to an unbalanced stereo audio acceptor:

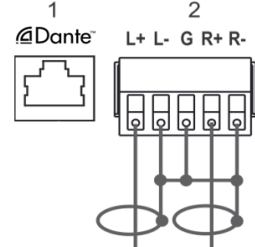


Connect the audio line-in:

to a balanced stereo audio acceptor:



to an unbalanced stereo audio acceptor:



Step 5: Connect power

Connect the power cord to PA-120NET / PA-240NET and plug it into the mains electricity.

Safety Instructions (See www.kramerav.com for updated safety information)

Caution:

- For products with relay terminals and GPIO ports, please refer to the permitted rating for an external connection, located next to the terminal or in the User Manual.
- There are no operator serviceable parts inside the unit.
- Touching uninsulated terminals or wiring may result in an unpleasant sensation.

Warning:

- Use only the power cord that is supplied with the unit.
- Disconnect the power and unplug the unit from the wall before installing.
- Do not open the unit. High voltages can cause electrical shock! Servicing by qualified personnel only.
- To ensure continuous risk protection, replace fuses only according to the rating specified on the product label which located on the bottom of the unit.

Step 6: Control PA-120NET / PA-240NET via embedded web pages

Technical Specifications

		PA-120NET	PA-240NET
Inputs	2 Channels, on a Dante™ Net	On an RJ-45 connector	
	1 Balanced Stereo Audio	+4dBu/10kΩ, on a 5-pin terminal block	
Outputs	1 Balanced Stereo Audio	line level, on a 5-pin terminal block	
	1 Speaker	On a 4-pin large terminal block	
Ports	1 Control via IP	on an RJ-45 connector	
	1 RS-232	on a 3-pin terminal block	
Amplifier	Input Sensitivity:	Full power @ 0.3V (-10dBV)	
	Output Power:	2 x 60W @ 4Ω or 8Ω 1 x 120W @ 70V or 100V	2 x 120W @ 4Ω or 8Ω 1 x 240W @ 70V or 100V
	Class	D	
	Maximum Voltage Gain:	26dB SE / 32dB BTL	
	Dynamic Range	119dB	
	Frequency Response	20Hz to 20kHz @ +/-1dB	
	S/N Ratio:	80dB, 20Hz - 20kHz	
	Audio THD + Noise:	THD+N (1kHz @ 1W) 0.003 %	
Audio 2nd Harmonic:	0.08% @ 75W RMS @ 4Ω 6.67kHz		
Controls	Output volume attenuator, IP and RS-232		
Power	Source:	Universal mains operational voltage 85V AC – 265V AC	Universal mains operational voltage 85V AC – 265V AC (full power at 120V – 230V)
	Consumption	195VA	265VA
	Total System Efficiency	89%	90%
Environmental Conditions	Operating Temperature	0° to +40°C (32° to 104°F)	
	Storage Temperature	-40° to +70°C (-40° to 158°F)	
	Humidity	10% to 90%, RHL non-condensing	
Regulatory Compliance	Safety	CE, FCC	
	Environmental	RoHs, WEEE	
Enclosure	Size	Desktop	
	Type	Aluminum	
	Cooling	Fan ventilation	
General	Net Dimensions (W, D, H)	21.5cm x 16.3cm x 4.4cm (8.5" x 6.4" x 1.7")	
	Shipping Dimensions (W, D, H)	40.5cm x 29.7cm x 9cm (15.9" x 11.7" x 3.5")	
	Net Weight	1.05kg (2.3lbs)	
	Shipping Weight	1.65kg (3.6lbs) approx.	
Included Accessories	Power cord		

Specifications are subject to change without notice at www.kramerav.com

Default Communication Parameters

RS-232		
Protocol 3000		
Baud Rate:	115,200	
Data Bits:	8	
Stop Bits:	1	
Parity:	None	
Example (change the volume of input 2 to -10 dB):	#AUD-LVL 1, 2, -10	
TCP/IP Parameters	Ethernet - Controller	Ethernet - Dante
IP Address:	192.168.1.39	DHCP
Subnet Mask:	255.255.000.000	N/A
Default Gateway:	192.168.0.1	N/A
Maximum UDP Connections:	Unlimited	N/A
Maximum TCP Connections:	Unlimited	N/A
UDP Port #:	50000	N/A
TCP Port #:	5000	N/A
Default Username / Password:	Admin / Admin	N/A
Full Factory Reset		
Protocol 3000	Excluding ETH: use "#FACTORY" command and use "#RESET" to restore the factory default values.	