



Scan for full manual

PA-120NET / PA-240NET Quick Start Guide

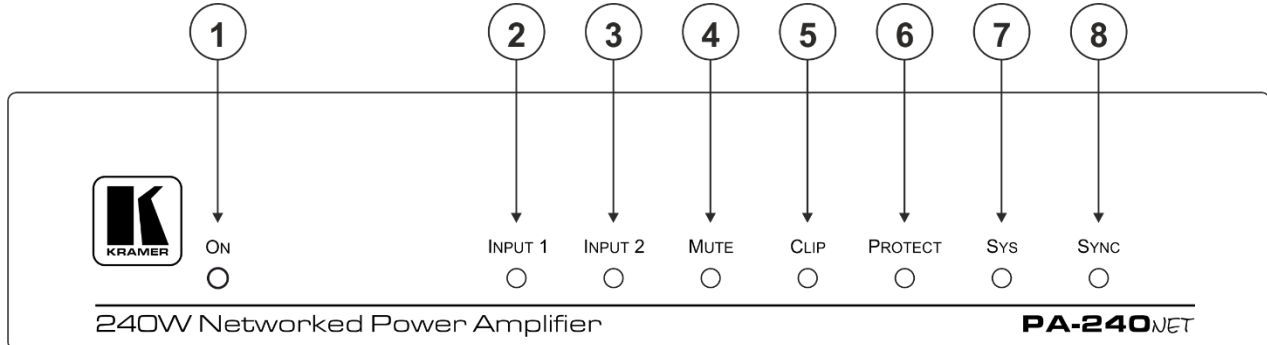
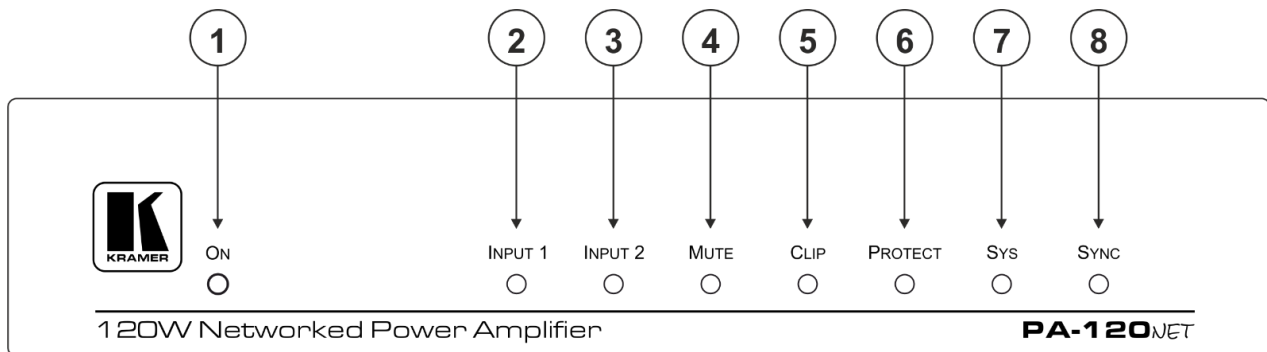
This guide helps you install and use your PA-120NET / PA-240NET for the first time.

Go to www.kramerav.com/downloads/PA-120NET to download the latest user manual and check if firmware upgrades are available.

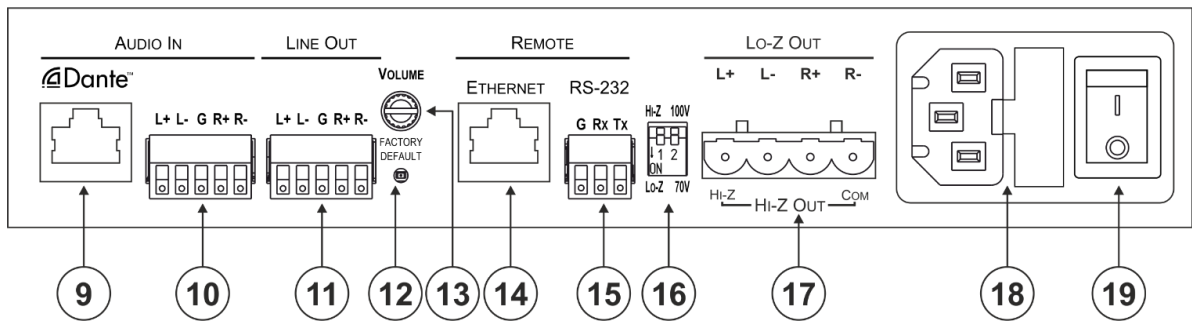
Step 1: Check what's in the box

- ✓ PA-120NET / PA-240NET Power Amplifier
 - ✓ 1 Power cord
- ✓ 4 Rubber feet
 - ✓ 1 Quick start guide

Step 2: Get to know your PA-120NET / PA-240NET



| # | Feature | Function |
|---|-------------|---|
| 1 | ON LED | Lights green when powered on, orange when in standby. |
| 2 | INPUT 1 LED | Lights green when a signal is present on input 1. |
| 3 | INPUT 2 LED | Lights green when a signal is present on input 2. |
| 4 | MUTE | Lights red when speakers output is muted. |
| 5 | CLIP LED | Lights red when the signal is clipped on the output and creating distortion. (When clipping is detected, lower the volume until the LED turns off.) |
| 6 | PROTECT LED | Lights red in case of over current / short / over heat. The device powers down until operation conditions are corrected and then powers up again. |
| 7 | SYS LED | SYS LED Lights green when Dante™ network is available; red if an error has occurred. |
| 8 | SYNC LED | Lights green for digital audio normal operation. Flashes green when this unit is the Master clock. Lights red if an error has occurred. |



| # | Feature | Function |
|----|--|--|
| 9 | Dante RJ-45 Port | Connect to the Dante™ audio source via the Network. By default, DHCP is enabled. |
| 10 | AUDIO IN Balanced/Unbalanced Stereo Audio 5-pin Terminal Block Connector | Connect to a line-level, balanced, stereo audio source. |
| 11 | LINE OUT Balanced Stereo Audio 5-pin Terminal Block Connector | Connect to a balanced, stereo audio acceptor (for example, amplified speakers). |
| 12 | FACTORY DEFAULT Button | Press to return to the factory default settings, including all the configurations and network settings. |
| 13 | VOLUME Attenuator | Master volume for speaker output – rotate to set the maximum amplifier volume. |
| 14 | ETHERNET RJ-45 Connector | Connect to an ETHERNET LAN to control the PA-120NET / PA-240NET via built-in web page. By default, IP is fixed at 192.168.1.39. |
| 15 | RS-232 (G, Rx, Tx) Port | Connect to an RS-232 connector on AV equipment or a PC or other Serial Controller. |
| 16 | Hi-Z/Lo-Z and 100V/70V DIP-Switches | DIP-Switch 1 Set to Hi-Z for high impedance and Lo-Z for low impedance. DIP-Switch 2 In Hi-Z mode, select 70V or 100V operation. |
| 17 | Lo-Z and Hi-Z Speaker Output Terminal Block Connector | Lo-Z – Connect left +, left -, right +, and right - to Lo-Z (4Ω or 8Ω) speakers. Hi-Z – connect Hi-Z and COM to 70V or 100V Hi-Z speakers. In Hi-Z mode, the output is mono and can be selected via webpage – Left channel to mono, or stereo sum to mono. |
| 18 | Power Connector with Fuse | AC connector, enabling power supply to the unit. |
| 19 | Mains Power Switch | Switch for turning the device on or off. |

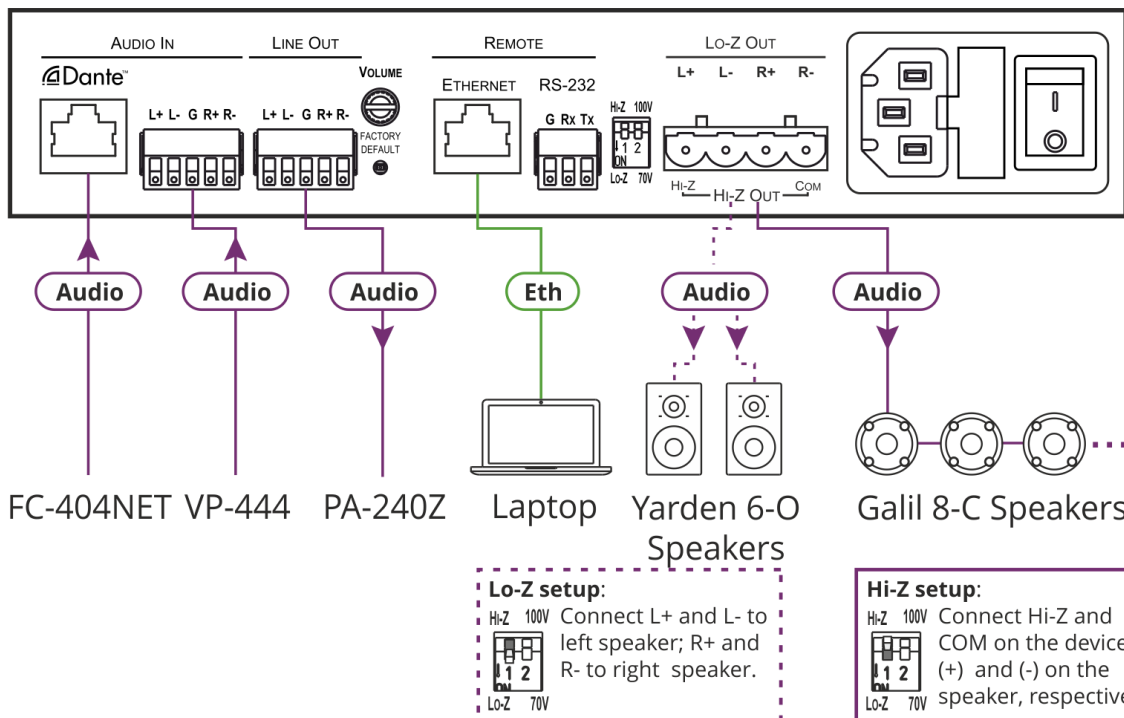
Step 3: Install the PA-120NET / PA-240NET

Install PA-120NET / PA-240NET using one of the following methods:

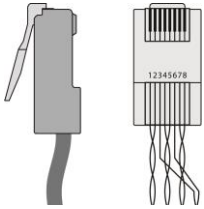
- Mount the unit in a rack using the recommended rack adapter (see www.kramerav.com/product/PA-120NET).
- Attach the rubber feet and place the unit on a flat surface.

Step 4: Connect the inputs and outputs

Always switch OFF the power on each device before connecting it to your PA-120NET / PA-240NET. For best results, we recommend that you always use Kramer high-performance cables to connect AV equipment to the PA-120NET / PA-240NET.



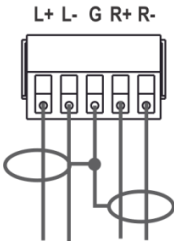
RJ-45 Pinout:



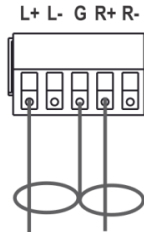
| PIN EIA /TIA 568B | | | |
|-------------------|----------------|-----|---------------|
| PIN | Wire Color | PIN | Wire Color |
| 1 | Orange / White | 5 | Blue / White |
| 2 | Orange | 6 | Green |
| 3 | Green / White | 7 | Brown / White |
| 4 | Blue | 8 | Brown |

Connect the audio line out:

to a balanced stereo audio acceptor:

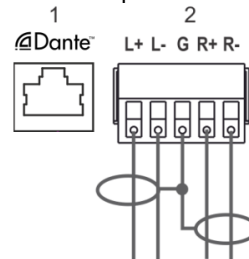


to an unbalanced stereo audio acceptor:

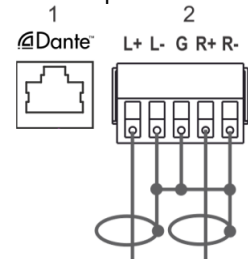


Connect the audio line-in:

to a balanced stereo audio acceptor:



to an unbalanced stereo audio acceptor:



Step 5: Connect the power

Connect the power cord to PA-120NET / PA-240NET and plug it into the mains electricity.

Safety Instructions



- Caution:** There are no operator serviceable parts inside the unit.
 - Warning:** Use only the power cord that is supplied with the unit.
 - Warning:** Do not open the unit. High voltages can cause electrical shock! Servicing by qualified personnel only.
 - Warning:** Disconnect the power and unplug the unit from the wall before installing.
- See www.KramerAV.com for updated safety information.

Step 6: Control PA-120NET / PA-240NET via the embedded web pages

Technical Specifications

| | | PA-120NET | PA-240NET |
|--------------------------|-------------------------------|--|--|
| Inputs | 2 Channels, on a Dante™ Net | On an RJ-45 connector | |
| | 1 Balanced Stereo Audio | +4dBu/10kΩ, on a 5-pin terminal block | |
| Outputs | 1 Balanced Stereo Audio | line level, on a 5-pin terminal block | |
| | 1 Speaker | On a 4-pin large terminal block | |
| Ports | 1 Control via IP | on an RJ-45 connector | |
| | 1 RS-232 | on a 3-pin terminal block | |
| Amplifier | Input Sensitivity: | Full power @ 0.3V (–10dBV) | |
| | Output Power: | 2 x 60W @ 4Ω or 8Ω 1 x 120W @ 70V or 100V | 2 x 120W @ 4Ω or 8Ω 1 x 240W @ 70V or 100V |
| | Class | D | |
| | Maximum Voltage Gain: | 26dB SE / 32dB BTL | |
| | Dynamic Range | 119dB | |
| | Frequency Response | 20Hz to 20kHz @ +/-1dB | |
| | S/N Ratio: | 80dB, 20Hz - 20kHz | |
| | Audio THD + Noise: | THD+N (1kHz @ 1W) 0.003 % | |
| | Audio 2nd Harmonic: | 0.08% @ 75W RMS @ 4Ω 6.67kHz | |
| Controls | | Output volume attenuator, IP and RS-232 | |
| Power | Source: | Universal mains operational voltage 85V AC – 265V AC | Universal mains operational voltage 85V AC – 265V AC (full power at 120V – 230V) |
| | Consumption | 195VA | 265VA |
| | Total System Efficiency | 89% | 90% |
| Environmental Conditions | Operating Temperature | 0° to +40°C (32° to 104°F) | |
| | Storage Temperature | -40° to +70°C (-40° to 158°F) | |
| | Humidity | 10% to 90%, RHL non-condensing | |
| Regulatory Compliance | Safety | CE, FCC | |
| | Environmental | RoHs, WEEE | |
| Enclosure | Size | Desktop | |
| | Type | Aluminum | |
| | Cooling | Fan ventilation | |
| General | Net Dimensions (W, D, H) | 21.5cm x 16.3cm x 4.4cm (8.5" x 6.4" x 1.7") | |
| | Shipping Dimensions (W, D, H) | 40.5cm x 29.7cm x 9cm (15.9" x 11.7" x 3.5") | |
| | Net Weight | 1.05kg (2.3lbs) | |
| | Shipping Weight | 1.65kg (3.6lbs) approx. | |
| Included Accessories | | Power cord | |

Specifications are subject to change without notice at www.kramerav.com

Default Communication Parameters

| RS-232 | | |
|---|---|------------------|
| Protocol 3000 | | |
| Baud Rate: | 115,200 | |
| Data Bits: | 8 | |
| Stop Bits: | 1 | |
| Parity: | None | |
| Example (change the volume of input 2 to -10 dB): | #AUD-LVL 1, 2, -10 | |
| TCP/IP Parameters | Ethernet - Controller | Ethernet - Dante |
| IP Address: | 192.168.1.39 | DHCP |
| Subnet Mask: | 255.255.000.000 | N/A |
| Default Gateway: | 192.168.0.1 | N/A |
| Maximum UDP Connections: | Unlimited | N/A |
| Maximum TCP Connections: | Unlimited | N/A |
| UDP Port #: | 50000 | N/A |
| TCP Port #: | 5000 | N/A |
| Default Username / Password: | Admin / Admin | N/A |
| Full Factory Reset | | |
| Protocol 3000 | Excluding ETH: use "#FACTORY" command and use "#RESET" to restore the factory default values. | |