



Scan for full manual

MV-4X Quick Start Guide

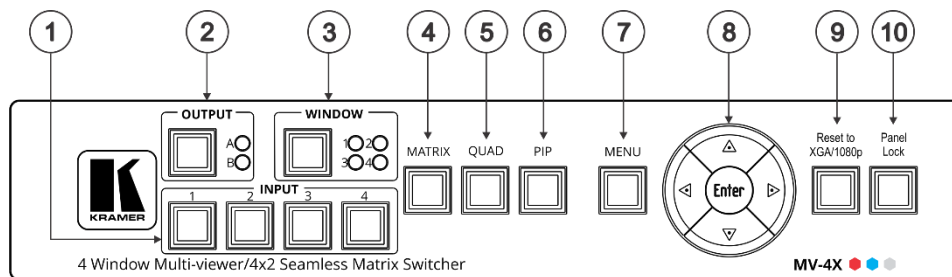
This guide helps you install and use your MV-4X for the first time.

Go to www.kramerav.com/downloads/MV-4X to download the latest user manual and check if firmware upgrades are available.

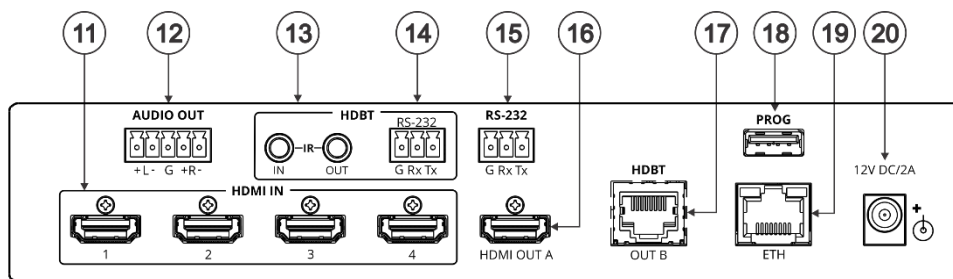
Step 1: Check what's in the box

- ✓ MV-4X 4 Window Multi-viewer/4x2 Seamless Matrix Switcher
- ✓ 1 Power adapter and cord
- ✓ 1 Quick start guide
- ✓ 4 Rubber feet

Step 2: Get to know your MV-4X



#	Feature	Function	
1	INPUT Selector Buttons (1 to 4)	Press to select an HDMI input (from 1 to 4) to switch to an output.	
2	OUTPUT (in Matrix Mode)	Selector Button	Press to select an output.
		LEDs (A and B)	Light green when output A or B are selected.
3	WINDOW (in Multiview Mode)	Selector Button	Press followed by an input button to connect the selected input to a window. For example, select Window 3 and then Input button # 2 to connect input # 2 to Window 3.
		LEDs (1 to 4)	Light green when a window is selected.
4	MATRIX Button	Press to operate the system as a 4x2 matrix switcher.	
5	QUAD Button	Press to display all four inputs on each of the outputs. Layouts are configured via the embedded web pages.	
6	PIP Button	Press to display one input in the background and the other images as PiP (Picture-in-Picture) over that image. Layouts are configured via the embedded web pages.	
7	MENU Button	Press to access the OSD menu, exit the OSD menu and, when in the OSD menu, move to the previous level in the OSD screen	
8	Navigation Buttons	◀	Press to decrease numerical values or select from several definitions.
		▲	Press to move up the menu list values.
		▶	Press to increase numerical values or select from several definitions.
		▼	Press to move down the menu list.
	Enter	Press to accept changes and change the SETUP parameters.	
9	RESET TO XGA/1080P Button	Press and hold for about 2 seconds to toggle the output resolution between XGA and 1080p, alternatively.	
10	PANEL LOCK Button	To lock, press and hold PANEL LOCK button for about 3 seconds. To unlock, press and hold PANEL LOCK and RESET TO buttons for about 3 seconds.	



#	Feature	Function
11	HDMI IN Connectors (1 to 4)	Connect to up to 4 HDMI sources.
12	AUDIO OUT 5-pin Terminal Block Connector	Connect to a balanced stereo audio acceptor.
13	HDBT	
	IR IN RCA Connector	Connect to an IR sensor to control a device connected to the HDBT receiver via IR Tunneling.
	IR OUT RCA Connector	Connect to an IR emitter to control a device that is connected to MV-4X from the HDBT receiver side via HDBT tunneling.
14	HDBT RS-232 3-pin Terminal Block Connector	Connect to a device for RS-232 HDBT tunneling.
15	RS-232 3-pin Terminal Block Connector	Connect to a PC to control the MV-4X .
16	HDMI OUT A Connector	Connect to an HDMI acceptor.
17	HDBT OUT B RJ-45 Connector	Connect to a receiver (for example, TP-580Rxr).
18	PROG USB Connector	Connect to a USB stick to perform firmware upgrades and/or upload a Logo.
19	ETHERNET RJ-45 Connector	Connect to a PC via a LAN
20	12V/2A DC Connector	Connect to the supplied power adapter.

The terms HDMI, HDMI High-Definition Multimedia Interface, and the HDMI Logo are trademarks or registered trademarks of HDMI Licensing Administrator, Inc.

Step 3: Mount MV-4X

Install **MV-4X** using one of the following methods:

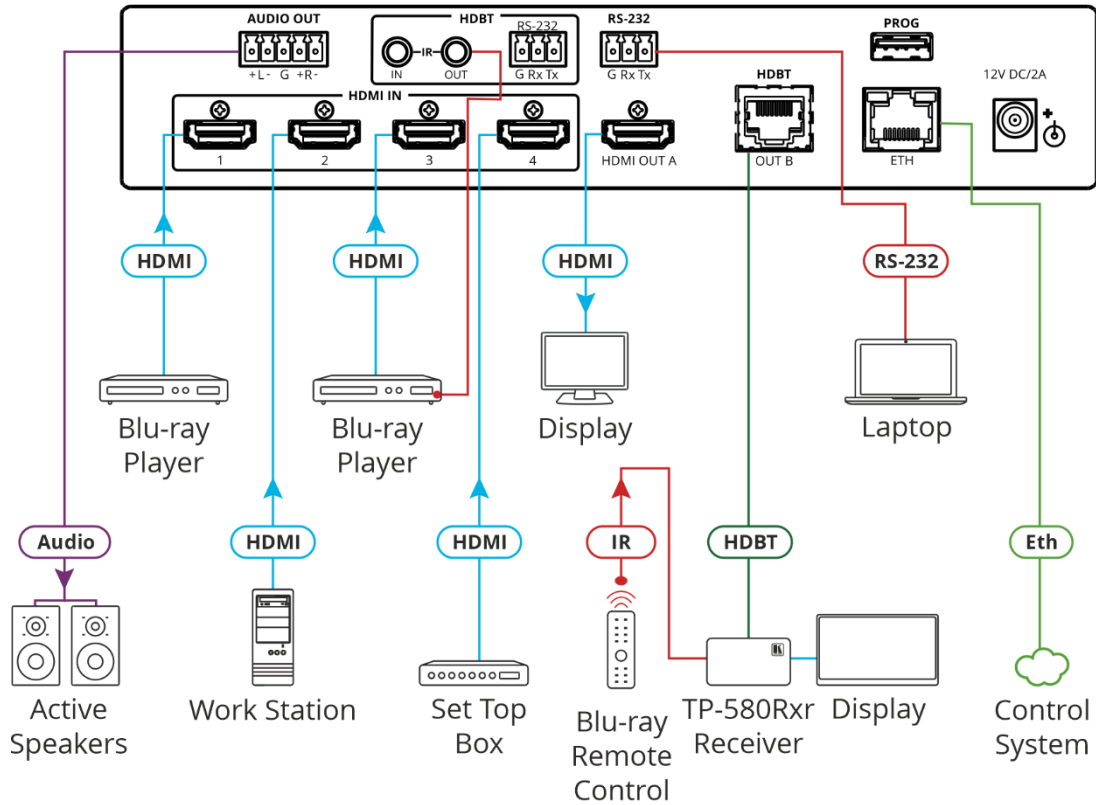
- Attach the rubber feet and place the unit on a flat surface.
- Mount the unit in a rack using the recommended rack adapter (see www.kramerav.com/product/MV-4X).



- Ensure that the environment (e.g., maximum ambient temperature & air flow) is compatible for the device.
- Avoid uneven mechanical loading.
- Appropriate consideration of equipment nameplate ratings should be used for avoiding overloading of the circuits.
- Reliable earthing of rack-mounted equipment should be maintained.
- Maximum mounting height for the device is 2 meters.

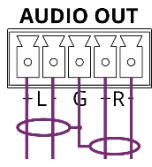
Step 4: Connect inputs and outputs

Always switch OFF the power on each device before connecting it to your MV-4X.

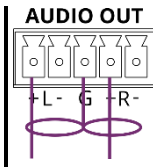


Connecting the audio output

To a balanced stereo audio acceptor:



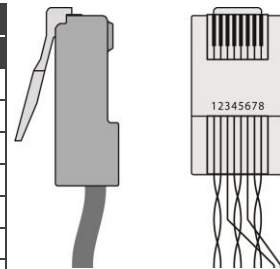
To an unbalanced stereo audio acceptor:



Wiring the RJ-45 Connectors

This section defines the TP pinout, using a straight pin-to-pin cable with RJ-45 connectors.

EIA /TIA 568B	
PIN	Wire Color
1	Orange / White
2	Orange
3	Green / White
4	Blue
5	Blue / White
6	Green
7	Brown / White
8	Brown



For HDBT cables, it is recommended that the cable ground shielding be connected/soldered to the connector shield.



To achieve specified extension distances, use the recommended Kramer cables available at www.kramerav.com/product/MV-4X. Using third-party cables may cause damage!

Step 5: Connect power

Connect the power cord to **MV-4X** and plug it into the mains electricity.



Safety Instructions (See www.kramerav.com for updated safety information)

Caution:

- For products with relay terminals and GPIO ports, please refer to the permitted rating for an external connection, located next to the terminal or in the User Manual.
- There are no operator serviceable parts inside the unit.

Warning:

- Use only the power cord that is supplied with the unit.
- Disconnect the power and unplug the unit from the wall before installing.

Step 6: Operate MV-4X

Operate **Product** via:

- Front panel buttons.
- Remotely, by RS-232 serial commands transmitted by a touch screen system, PC, or other serial controller.
- Embedded web pages via the Ethernet.

RS-232 Control / Protocol 3000			
Baud Rate:	115,200	Parity:	None
Data Bits:	8	Command Format:	ASCII
Stop Bits:	1		
Example: (Mute audio on output A): #MUTE_A,1<CR>			
Default Ethernet Parameters			
IP Address:	192.168.1.39	UDP Port #:	50000
Subnet Mask:	255.255.0.0	TCP Port #:	5000
Gateway:	192.168.0.1		
Default Username:	Admin	Default Password:	Admin