



Scan for full manual

KT-205WM Quick Start Guide

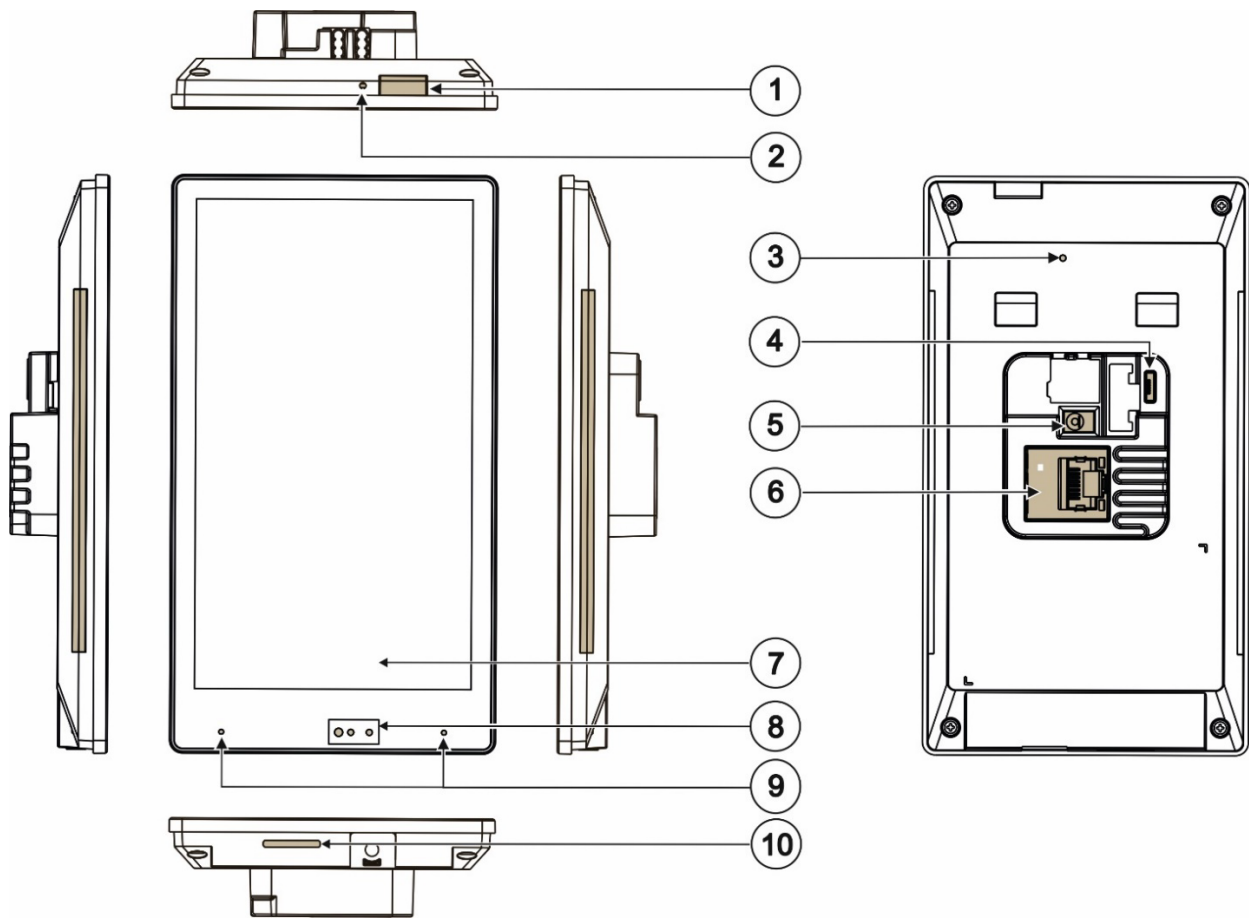
This guide helps you install and use your KT-205WM for the first time.

Go to www.kramerav.com/downloads/KT-205WM to download the latest user manual and check if firmware upgrades are available.

Step 1: Check what's in the box

KT-205WM: 5.5" Touch Panel 1 Quick start guide Wall mount bracket for UK, US and EU single gang boxes Mounting accessories


Step 2: Get to know your KT-205WM



#	Feature	Function
1	Home Button	Press to wake up / darken the screen.
2	Recessed Restart Button	Located on the top-side. Insert a pin and hold for a few seconds to restart.
3	Restore Factory Reset Button	Insert a pin and hold for 22 seconds to reset the device to factory default values.
4	Micro USB Port	For connecting to an adjacent on-wall USB device and for firmware upgrade.
5	12V/1A DC Connector	Connect to the power adapter (optional, purchased separately).
6	LAN 1G(PoE) RJ-45 Port	Connect to the LAN for network communication. KT-205WM is powered by PoE (power over ethernet) delivered through the LAN port. Optionally, you can connect the power adapter too (as backup).
7	Display	Touch panel
8	Light Sensor	Automatically adjusts the screen brightness according to the room lighting conditions.
9	Microphone	For audio communication, recording or conferencing.
10	Speaker	To output the sound.

Step 3: Mount KT-205WM on a wall

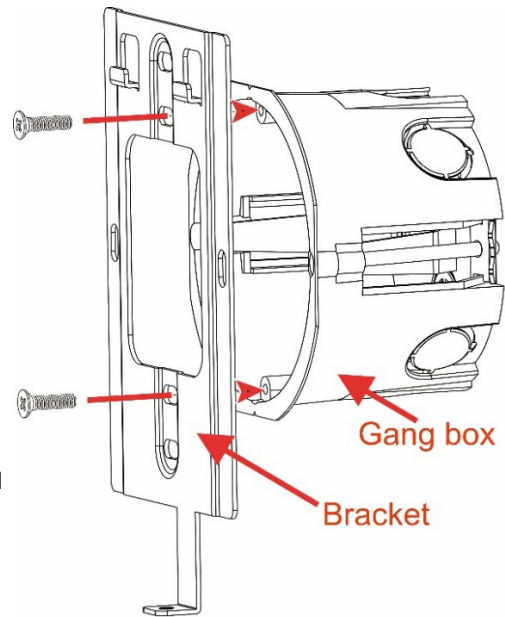
To mount the device on a wall:

 **KT-205WM can only be mounted in portrait mode.**

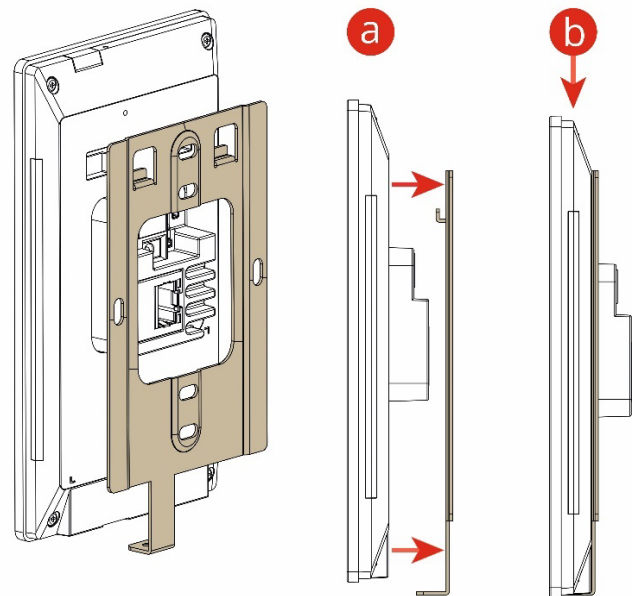
1. Install an in-wall gang box.
2. Attach the wall mount bracket to the installed gang box (top side up: see the indication arrows on the bracket), using two M3.2 screws provided.

The wall mount bracket works with UK, EU and US single gang boxes. Screws are provided for all configurations.

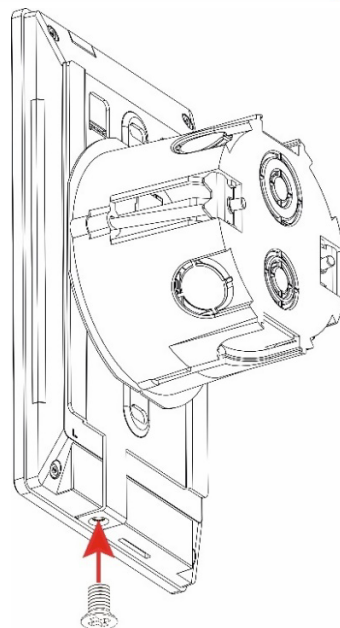
3. Connect Ethernet and/or power cables and optionally, insert the micro-USB cable (supplied) for connecting to an adjacent external USB device.



4. Rest **KT-205WM** on the wall mount bracket:
 - a) Line up the top holders and the bottom mounting screw hole.
 - b) Push the touch panel down, snapping the top holders into place.



5. Insert one M2.5 screw below the touch panel and secure the touch panel to the wall mount bracket.



For optimum range and performance use the recommended Kramer cables available at www.kramerav.com/product/KT-205WM. Using third-party cables may cause damage!

Step 4: Connect to power

KT-205WM is powered by PoE (Power over Ethernet). When accepting power from a PoE provider, there is no need to connect a DC power supply. If you do need an external power adapter, it can be purchased separately.

Connect the device to a LAN switch with PoE: The device starts automatically when power is connected.



Ensure that the environment (e.g., maximum ambient temperature & air flow) is compatible for the device.

Avoid uneven mechanical loading.

Appropriate consideration of equipment nameplate ratings should be used for avoiding overloading of the circuits.

Reliable earthing of rack-mounted equipment should be maintained.

Maximum mounting height for the device is 2 meters.

Step 5: Customize KT-205WM settings



KT-205WM is designed to operate with **Kramer Control**. Ideally, the operational characteristics should be defined before the touch panel is used. For more information please scan the QR code.




- By default, KT 205WM displays the Kramer Agent interface that turns the touch panel into a controllable device interacting with Kramer Brain / Virtual Brain room control software. The Brain IP needs to be setup (see step 6).

The following steps are recommended before using your Kramer KT-205WM touch panel:


1. Exit the Kramer Agent:

- Swipe up from the Kramer logo to display the PIN entry pop-up or click RESET PIN. **The default PIN is 9428.** The bottom navigation bar will pop-up; Press the circle to access the Home screen.

2. Set the device's time and date:

- On the Home screen, press the **Settings** icon  and then select **Date & time > Time zone** and set the **Region**.


3. Setup the Ethernet or Wi-Fi connection:

- On the Home screen, press **Settings**  and select **Network & Internet > Wi-Fi** (or Ethernet). For detailed information, see "Connecting to Wi-Fi or Ethernet" in the [User Manual](#) (QR code).



4. (optional) Change the time of OS firmware (FW) updates:

By default, the system checks for firmware updates at midnight: Updates are automatically downloaded and installed.

- To change FW update settings, in the **Settings**  screen select **Firmware update > Remote firmware update**.
- Press the time to change the time. Clear the URL to prevent automatic updates (updates will be manual).


5. (optional) Change the time of the Kramer Control agent (APK) updates:

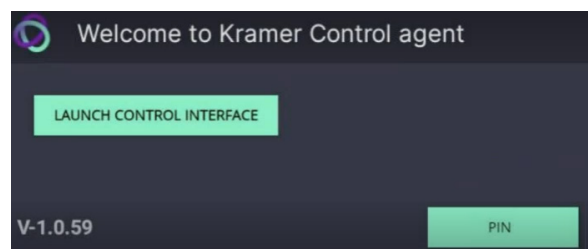
By default, the system checks for Kramer Agent updates at midnight.

- To change APK update settings, open the **Settings**  screen and select **Remote APP upgrade URL**.
- Press the time to change the time. Clear the URL to prevent automatic updates (updates will be manual).

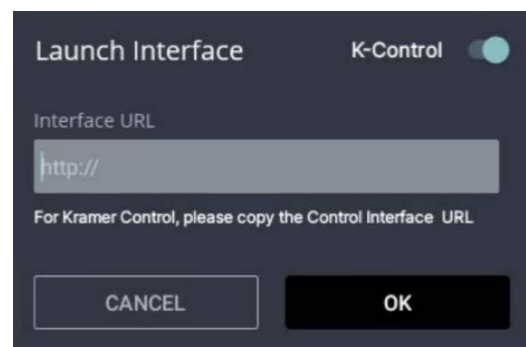
Note: Factory resets delete the Kramer Agent but not the **Remote APP upgrade URL**.

6. Setup the Kramer Agent to display your Control Interface:

- If the Kramer Control Agent is not running, then on the touch panel's Home page, open the **Kramer Agent** app by clicking on the icon .




- Press **Launch Control Interface** and enter the IP address and port of the interface you defined in Kramer Brain, for example "https://<Brain-IP>:8001". The hardware section of the builder's Brain info contains the IP:port# of the Brain.



The touch panel's link to the Kramer Control interface can also be set up from a laptop browser on the network or from the Brain. For more information see the touch panel's user manual, in the Resources tab at https://www.kramerav.com/product/KT-205#Tab_Resources or scan the QR code.



Note: If you enter a "generic" URL such as www.google.com, the touch panel will display that page.

7. To change the touch panel's interface language, in the Settings  screen, select Languages & input > Languages.

This equipment has been tested and found to comply with the limits for a Class A digital device, pursuant to Part 15 of the FCC Rules. These limits are designed to provide reasonable protection against harmful interference when the equipment is operated in a commercial environment. This equipment generates, uses, and can radiate radio frequency energy and, if not installed and used in accordance with the instruction manual, may cause harmful interference to radio communications. Operation of this equipment in a residential area is likely to cause harmful interference in which case the user will be required to correct the interference at his/her own expense.

Changes or modifications not expressly approved by the manufacturer could void the user's authority to operate the equipment.

This device complies with Part 15 of the FCC Rules. Operation of the device is subject to the following conditions:

This device may not cause harmful interference

This device must accept any interference received, including interference that may cause undesired operation

Recommendations for safe exposure to non-ionizing radiation: Only use the device at least 20 centimeters away from your body.

SIMPLIFIED EU DECLARATION OF CONFORMITY

Hereby, **KRAMER ELECTRONICS** declares that the radio equipment type **KT-205WM / KT-208WM** is in compliance with Directive 2014/53/EU. The full text of the EU declaration of conformity is available via the Resources tab on the product page at the following internet address:

<https://www.kramerav.com/product/kt-205wm>.

Specifications are subject to change without notice at www.kramerav.com