



Scan for full manual

## KT-2010 / KT-2010WM Quick Start Guide

This guide helps you install and use your KT-2010 / KT-2010WM for the first time.

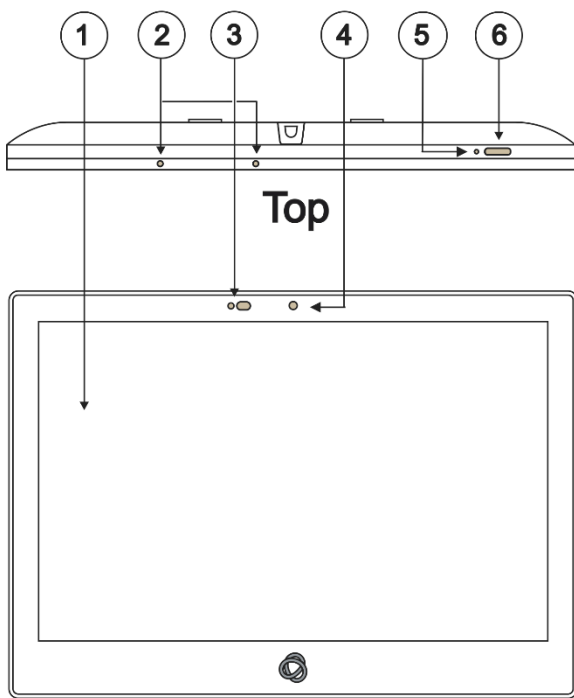
Go to [www.kramerav.com/downloads/KT-2010](http://www.kramerav.com/downloads/KT-2010) or <http://www.kramerav.com/downloads/KT-2010WM> to download the latest user manual and check if firmware upgrades are available.

### Step 1: Check what's in the box

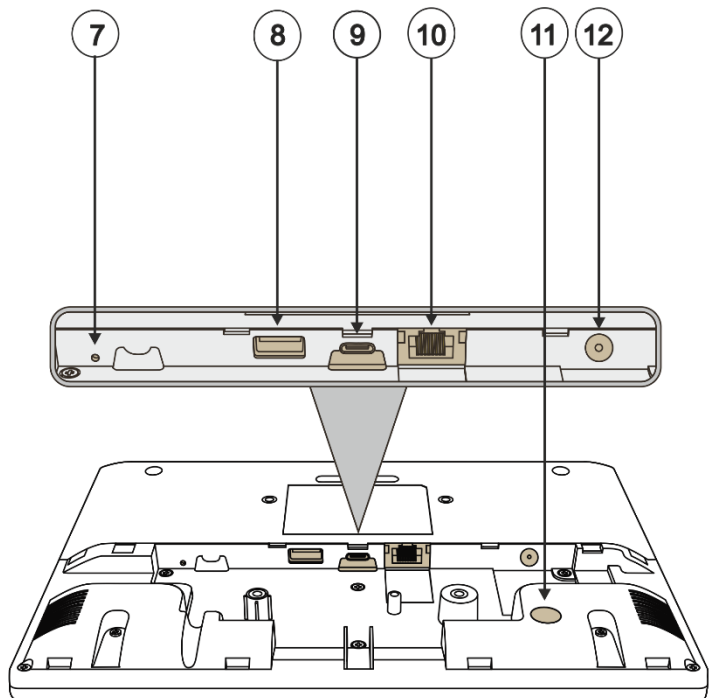
KT-2010: ✓ 10" Tablet ✓ 1 Quick start guide ✓ Table stand ✓ Screws: 1 x M3, 2 x M2, 2 x 5/32"

KT-2010WM: ✓ 10" Tablet ✓ 1 Quick start guide ✓ Wall bracket ✓ Screws: 1 x M3, 2 x M2 ✓ Double sided tape

### Step 2: Get to know your KT-2010 / KT-2010WM



Front



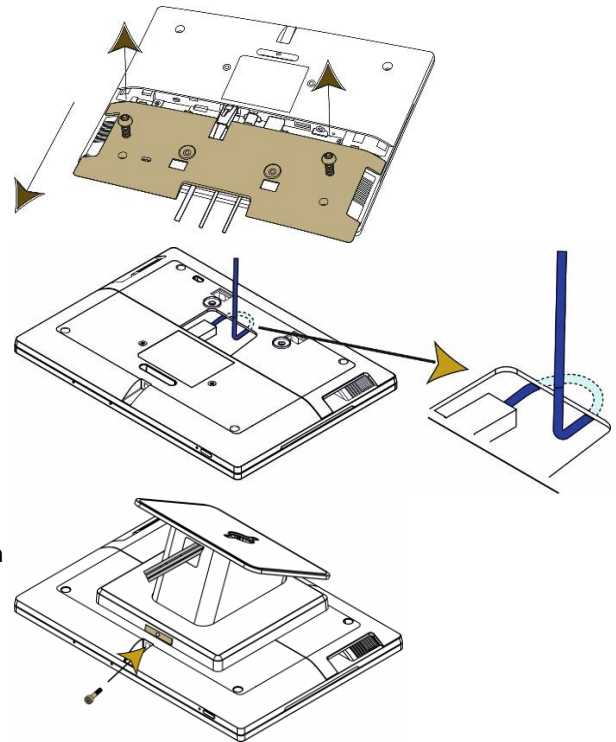
Back

#	Feature	Function
1	Display	Touch panel
2	Microphone	For audio communication, recording or conferencing.
3	Proximity Sensor	Automatically adjusts the screen brightness and camera according to the room lighting conditions.
4	Camera	For remote room viewing or video conferencing.
5	Reset	Located on the topside. Insert a pin and hold for a few seconds to restart.
6	Home Button	Press to wake up / darken the screen.
7	Restore Factory Reset Button	Insert a pin and hold for 22 seconds to reset the device to factory default values.
8	USB 3.0 Port	Multipurpose port for external connection.
9	USB Type-C Port	Multipurpose port for external connection.
10	LAN 1G(PoE) RJ-45 Port	Connect to the LAN for network communication. KT-2010 / KT-2010WM is powered by PoE (power over ethernet) delivered through the LAN port. Optionally, you can connect the power adapter too (as backup).
11	Kensington Lock	Anti-theft security slot for locking the device.
12	12V/2A DC Connector	Connect to the power adapter (optional, purchased separately).

## Step 3: (Option 1) Mount KT-2010 on a Table

### Simple Mounting (moveable table stand)

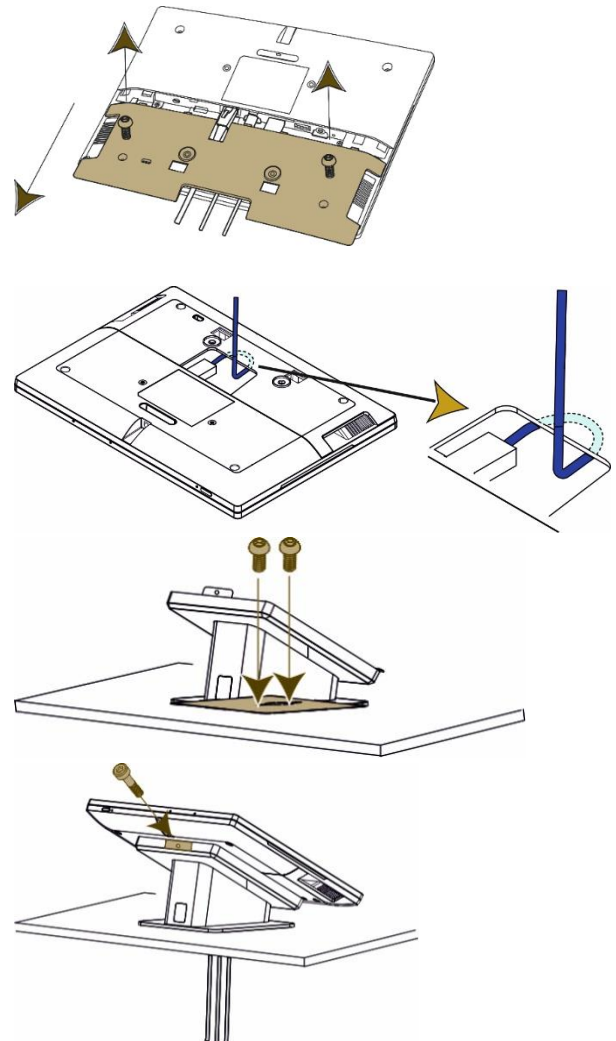
1. Remove the I/O cover:
  - Take out the 2 M2 screws.
  - Insert fingers into the two slots and slide the cover down.
2. Connect any necessary cables, running them through the table stand to the **KT-2010**.
3. Replace the I/O cover, taking care to prevent pressure on the RJ-45 cable:
  - Use a cable without a hood.
  - Curl the cable under the cover.
4. Close the cover with the 2 M2 screws.
5. Lay the **KT-2010** face-down and mount the table stand on it.
6. Insert and fasten the provided M3 screw that secures the bottom of the **KT-2010** to the table stand.



The table stand and tablet are now ready for use.

### Secure Mounting (fixed table stand)

1. Remove the I/O cover:
  - Take out the 2 M2 screws.
  - Insert fingers into the two slots and slide the cover down.
2. Connect any necessary cables, running them through the table stand to the **KT-2010**.
3. Replace the I/O cover, taking care to prevent pressure on the RJ45 cable:
  - Use a cable without a hood.
  - Curl the cable under the cover.
4. Close the cover with the 2 M2 screws.
5. Lay the **KT-2010** face-down and mount the table stand on it.
6. Secure the stand to the table using the two provided 5/32" screws.
7. Mount the **KT-2010** on the stand and secure it with the provided M3 screw.



The table stand and tablet are now ready for use.



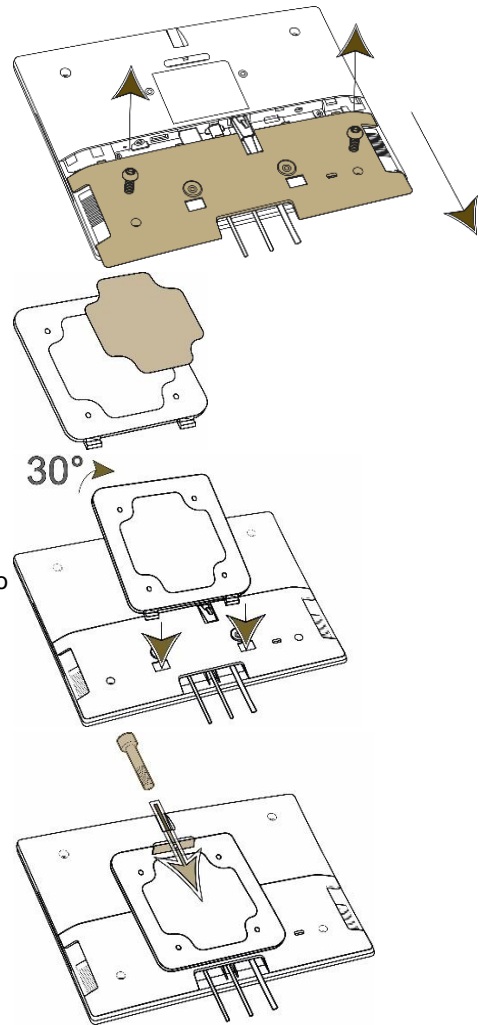
For optimum range and performance use the recommended Kramer cables available at [www.kramerav.com/product/KT-2010](http://www.kramerav.com/product/KT-2010).  
Using third-party cables may cause damage!

## Step 4: (Option 2) Mount KT-2010WM on a Wall

### To mount the device using double-sided tape:

1. Remove the I/O cover:
  - Take out the 2 M2 screws.
  - Insert fingers into the two slots and slide the cover down.
2. Connect any necessary cables to the **KT-2010WM**.
3. Replace the I/O cover, and close with the 2 M2 screws.
4. Attach the double-sided tape to the back of the wall bracket.
5. Click the wall bracket onto the back of the I/O cover (push the bracket into place while holding its top slightly outward).
6. Secure the wall bracket to the tablet cover using the M3 screw.
7. Use the double-sided tape to fix the tablet on a wall.

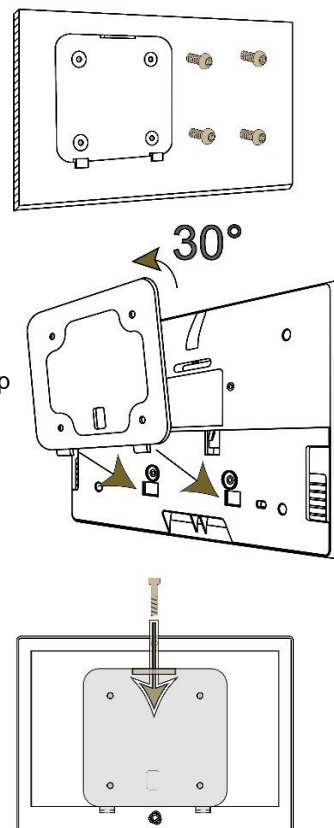
The tablet is mounted.



### To mount the device on a secured wall bracket:

1. Mount the wall bracket on to the installation point (screws not provided).
2. Connect the tablet to the wall bracket (lift it into place while holding the top of the tablet slightly outward).
3. Use the provided M3 screw to secure the tablet to the wall bracket and back cover.

The tablet is mounted.



For optimum range and performance use the recommended Kramer cables available at [www.kramerav.com/product/KT-2010WM](http://www.kramerav.com/product/KT-2010WM). Using third-party cables may cause damage!

## Step 5: Connect to Power

KT-2010 and KT-2010WMM are powered by PoE (Power over Ethernet). When accepting power from a PoE provider, there is no need to connect a DC power supply. If you do need an external power adapter, it can be purchased separately.

Connect the device to a LAN switch with PoE: The device starts automatically when power is connected.



- Ensure that the environment (e.g., maximum ambient temperature & air flow) is compatible for the device.
- Avoid uneven mechanical loading.
- Appropriate consideration of equipment nameplate ratings should be used for avoiding overloading of the circuits.
- Reliable earthing of rack-mounted equipment should be maintained.
- Maximum mounting height for the device is 2 meters.

This equipment has been tested and found to comply with the limits for a Class A digital device, pursuant to Part 15 of the FCC Rules. These limits are designed to provide reasonable protection against harmful interference when the equipment is operated in a commercial environment.

This equipment generates, uses, and can radiate radio frequency energy and, if not installed and used in accordance with the instruction manual, may cause harmful interference to radio communications. Operation of this equipment in a residential area is likely to cause harmful interference in which case the user will be required to correct the interference at his/her own expense.

Changes or modifications not expressly approved by the manufacturer could void the user's authority to operate the equipment.

This device complies with Part 15 of the FCC Rules. Operation of the device is subject to the following conditions:

This device may not cause harmful interference

This device must accept any interference received, including interference that may cause undesired operation

Recommendations for safe exposure to non-ionizing radiation: Only use the device at least 20 centimeters away from your body.

## Step 6: Customize KT-2010 / KT-2010WMM settings




KT-2010 and KT-2010WMM are designed to operate with **Kramer Control**. Ideally, their operational characteristics should be defined before they are used. For more information see [Kramer Control](#).


- To view the Android navigation icons, swipe a finger upwards from the line at the bottom of the screen and release.

The following steps are recommended for setting up your Kramer KT-2010 / KT-2010WMM:

### 1. Set the device's time and date:


- On the Home screen, press the **Settings** icon  and then select **Date & time > Time zone** and set the **Region**.

### 2. Setup the Ethernet or Wi-Fi connection:

- On the Home screen, press **Settings**  and select **Network & Internet > Wi-Fi** (or **Ethernet**). For detailed information, see "Connecting to Wi-Fi or Ethernet" in the [User Manual](#).

### 3. (optional) Change the time of OS firmware (FW) updates:

By default, the system checks for FW updates at midnight: Updates are automatically downloaded and installed.

- To change FW update settings, in the **Settings**  screen select **Firmware update > Remote firmware update**.
  - Press the time to change the time. Clear the URL to prevent automatic updates (updates will be manual).
- ### 4. (optional) Change the time of the Kramer Control agent (APK) updates:

By default, the system checks for APK updates at midnight. Updates are automatically downloaded and installed.

- To change APK update settings, open the **Settings**  screen and select **Remote APP upgrade URL**.
- Press the time to change the time. Clear the URL to prevent automatic updates (updates will be manual).



**Note:** Factory resets delete the APK but not the **Remote APP upgrade URL**.

### 5. Setup the Kramer Control agent:

KT-2010 / KT-2010WMM is designed to operate with Kramer Control. There are two ways to setup the link to Kramer Control: from the tablet or from a laptop. For more information see

<https://www.manula.com/manuals/kramer/kramer-control/1/en/topic/new-kramer-tablets>

#### • Setting the link from the tablet:

- In the tablet's Home page, open the Chromium browser  and enter "<Kramer Control's IP>:8000".
- Select the desired interface and copy its URL.
- In the tablet's Home page, open the **Kramer Agent** app .
- Press "Launch Control Interface" and paste the link, then press OK.

#### • (alternative method) Setting the link from a Windows laptop connected to the same network:

Open a Chrome browser and enter:

<https://<IP of the tablet>:9804/launchurl?<IP of Kramer Control>:8000/?interface=&immersive=true>

Specifications are subject to change without notice at [www.kramerav.com](http://www.kramerav.com)