



Scan for full manual

KRT-3 Quick Start Guide

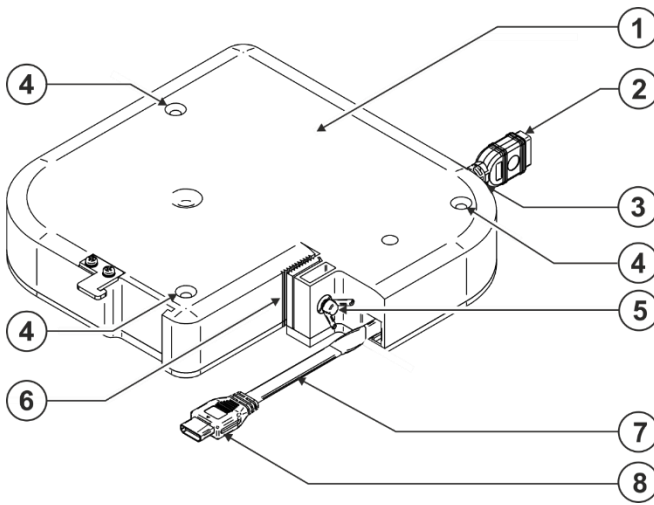
This guide helps you install and use your **KRT-3** for the first time.

Go to www.kramerav.com/downloads/KRT-3 to download the latest user manual.

Step 1: Check what's in the box

- ✓ **KRT-3** Cable Retractor
- ✓ 1 Quick start guide
- ✓ 4 M3x8 screws
- ✓ WCP-(KRT) insert kit.

Step 2: Get to know your KRT-3



When retracting the cable, we recommend that you lead the cable so it retracts slowly.

The terms HDMI, HDMI High-Definition Multimedia Interface, and the HDMI Logo are trademarks or registered trademarks of HDMI Licensing Administrator, Inc.

#	Feature	Function
1	Retractor Enclosure	Contains the retractable cable mechanism.
2	Fixed Cable Female Connector	Connect to a male connector under the table.
3	Fixed Cable End	Short connector cable.
4	Screw Openings for Mounting Under the Table (3)	Use to attach the KRT-3 directly under a table.
5	Wing-Head Thumb Screw	Use to turn and lock KRT-3 to the TBUS enclosure.
6	TBUS Installation Slot	Insert TBUS enclosure side into the slot to attach KRT-3 to a TBUS.
7	Retracting Cable	Pull to connect to a connector above the table.
8	Retracting Cable Male Connector	Connect to a female connector.



KRT-3 is available for the following cables: HDMI™ (High Speed HDMI with Ethernet), VGA, audio (3.5mm), LAN, USB-2.0, USB-3.0, and DisplayPort.

Step 3: Install KRT-3

Attaching KRT-3 to a Kramer TBUS

Use this procedure to mount **KRT-3** onto the following Kramer TBUS units: **TBUS-1AXL**, **TBUS-3xl**, **TBUS-4xl**, **TBUS-5xl**, **TBUS-6xl** and **TBUS-10XL**.

Before mounting the **KRT-3** onto a **TBUS**, you need to configure and install the **TBUS** inner frame (including inserts and power sockets) and mount the **TBUS** onto a table.

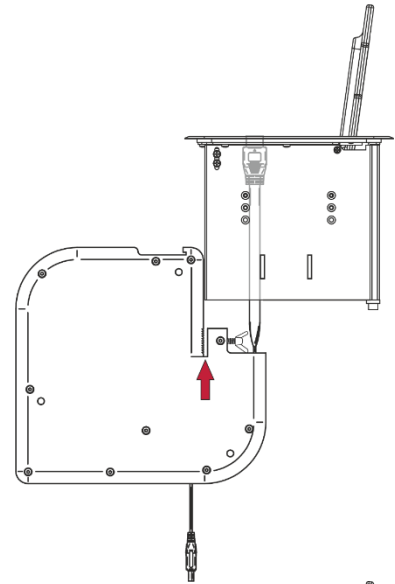


Remember to prepare an opening in the **TBUS** inner frame for the retracting cable connector (for example, use the Kramer **WCP** pass-through insert).

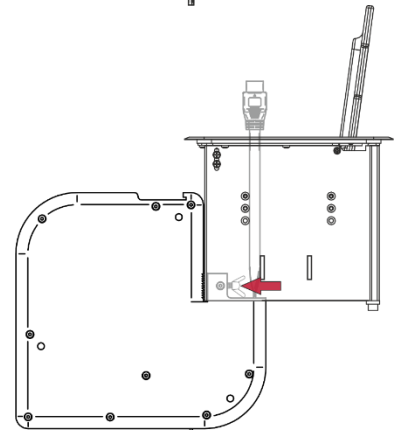


To attach KRT-3 to a TBUS:

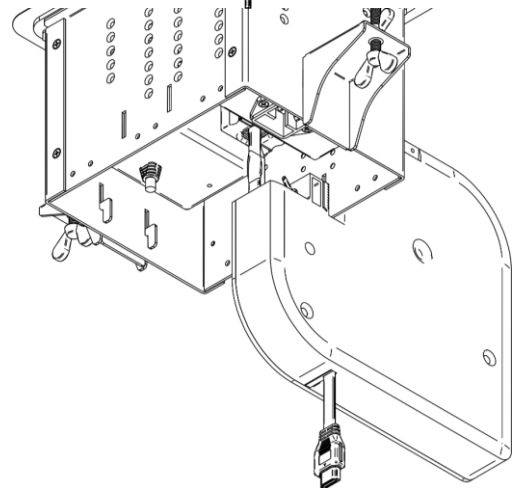
1. From under the table, slide the **KRT-3** onto one of the side walls of the TBUS.
Make sure that the fixed cable is directed downwards and the retracting cable is directed upwards.



2. Use the wing-head thumb screw to fix the **KRT-3** firmly in place and pass the retracting cable end through the cable pass-through bushing.



The **KRT-3** is now firmly fixed in place.



Attaching KRT-3 (as a Standalone) to the Underside of a Table



The thickness of the table should be at least 18mm so as not to damage the table. Kramer Electronics is not responsible for any damage caused to the table.

To attach KRT-3 to the underside of a table:

1. Place the **KRT-3** under the table in the desired location.
Make sure that the retracting cable faces the edge of the table.
2. Pass the 3 M4x50 screws through the table screw openings and tighten them to fix the retractor under the table.

