



Scan for full manual

## KC-BRAINware-50 Quick Start Guide

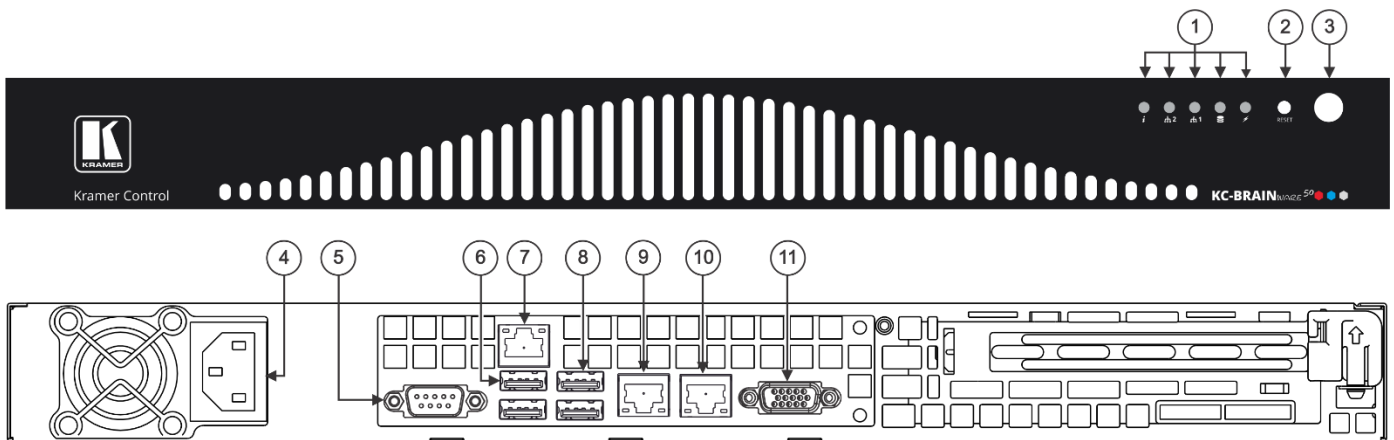
This guide helps you install and use your KC-BRAINware-50 for the first time.

Go to [www.kramerav.com/downloads/KC-BRAINware-50](http://www.kramerav.com/downloads/KC-BRAINware-50) to download the latest user manual and check if firmware upgrades are available.

### Step 1: Check what's in the box

- ✓ KC-BRAINware-50 Kramer Control server
- ✓ 1 VGA to HDMI™ cable adapter
- ✓ 1 Set of rack ears
- ✓ 2 Power cords (US + European)
- ✓ 1 Quick start guide

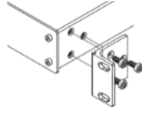
### Step 2: Get to know your KC-BRAINware-50



#	Feature	Function
1	Indicator LEDs	Flashes to indicate fan failure. Lights continuously to indicate system overheat.
		Flashes when there is network activity on LAN port 2.
		Flashes when there is network activity on LAN port 1.
		Flashes to indicate hard drive activity.
		Lights when the device is powered.
2	Reset Button	Use to reboot the system.
3	Power Button	Use to toggle setting the device to standby mode / turning the device on. To turn the power off, disconnect the power connector from the mains.
4	Power Socket	Connect to the power cord and to the mains electricity.
5	RS-232 9-pin D-sub Connector	Connect to a system controller.
6	USB 2.0 Ports (2)	Connect to a keyboard and mouse (if required)
7	IPMI (Intelligent Platform Management Interface) LAN RJ-45 Connector	N/A
8	USB 3.0 Ports (2)	Connect to USB devices.
9	LAN 1 ETHERNET RJ-45 Connector	Connect to the Ethernet.
10	LAN 2 ETHERNET RJ-45 Connector	Connect to the Ethernet.
11	VGA 15-pin HD Port	Connect to a display.

## Step 3: Install KC-BRAINware-50

To rack mount the machine, attach both rack ears (by removing the screws from each side of the machine and replacing those screws through the rack ears) or place the machine on a table.



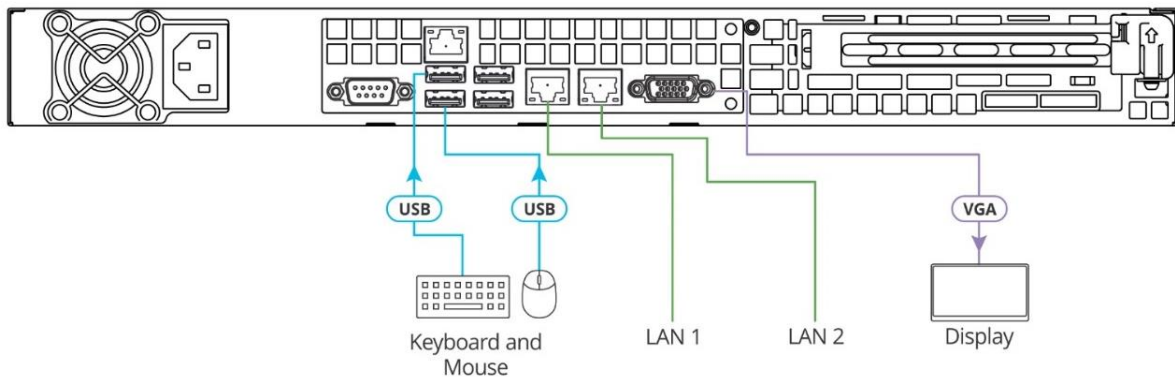
- Ensure that the environment (e.g., maximum ambient temperature & air flow) is compatible for the device.
- Avoid uneven mechanical loading.
- Appropriate consideration of equipment nameplate ratings should be used for avoiding overloading of the circuits.
- Reliable earthing of rack-mounted equipment should be maintained.

## Step 4: Connect the inputs and outputs

Always switch OFF the power on each device before connecting it to your **KC-BRAINware-50**. For best results, we recommend that you always use Kramer high-performance cables to connect AV equipment to **KC-BRAINware-50**.



Connecting Keyboard, Mouse, and Display are optional. SSH has been enabled by default and is the recommended process for configuring **KC-BRAINware-50**.



For optimum range and performance use the recommended Kramer cables available at [www.kramerav.com/product/KC-BRAINware-50](http://www.kramerav.com/product/KC-BRAINware-50). Using third-party cables may cause damage!

## Step 5: Connect the power

Connect the power cord to **KC-BRAINware-50** and plug it into the mains electricity.

Safety Instructions (See [www.kramerav.com](http://www.kramerav.com) for updated safety information)



### Caution:

- For products with relay terminals and GPIO ports, please refer to the permitted rating for an external connection, located next to the terminal or in the User Manual.
- There are no operator serviceable parts inside the unit.

### Warning:

- Use only the power cord that is supplied with the unit.
- Disconnect the power and unplug the unit from the wall before installing.
- Do not open the unit. High voltages can cause electrical shock! Servicing by qualified personnel only.
- To ensure continuous risk protection, replace fuses only according to the rating specified on the product label which located on the bottom of the unit.

## Step 6: Set up KC-BRAINware-50



Knowledge of IP networking is required to perform the following procedure. Inaccurate IP calculation could damage your IP network when you start **KC-BRAINware-50**.

1. Connect to **KC-BRAINware-50** using one of the following two methods:
  - Connect via SSH `kramer@IPofHardware` and use the password: `KC_Brainware`.
  - Connect a mouse, keyboard, and monitor directly to **KC-BRAINware-50**.
2. Identify the gateway and subnet of the network to which **KC-BRAINware-50** is connected.



You may need to contact your IT manager to obtain this information.

3. Connect to the **KC-BRAINware-50** terminal and run the following command to configure a part of the subnet as the range of addresses for all 50 Brains:

```
kramer config set docker.brain.network.ip_range=<your starting address>/26
```

for example: `kramer config set docker.brain.network.ip_range=192.168.110.192/26`

4. Run the following commands to update all Brains:

```
kramer docker update brain
```

After completion of the update, all Brains start and are available on the customer network.