

KRAMER



User Guide

MODEL:

K-Speak

Bluetooth Speakerphone



P/N:



2900- 301531QS

Rev:



3



SAFETY WARNING

Disconnect the unit from the power supply before opening and servicing

For the latest information on our products and a list of Kramer distributors, visit our Web site where updates to these installation instructions may be found.

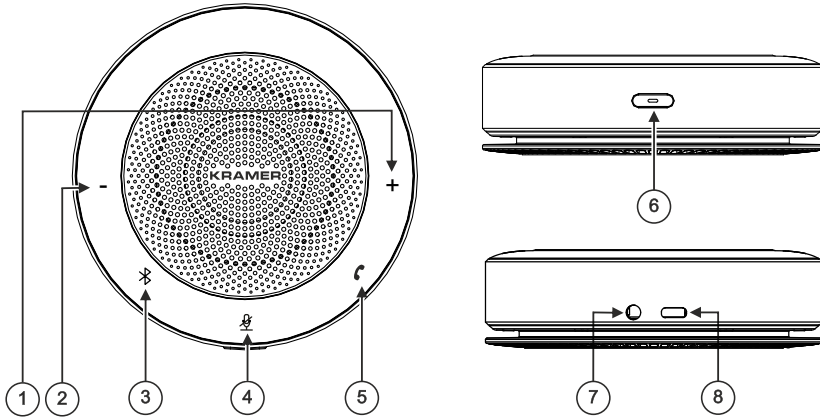
We welcome your questions, comments, and feedback.


www.kramerAV.com
info@kramerel.com

K-Speak Bluetooth Speakerphone

Congratulations on purchasing your Kramer K-Speak high performance Bluetooth Speakerphone. K-Speak supports a 360° omni-direction audio pickup in a radius of up to 5 meters (when unobstructed) and enables the user to connect to up to 2 devices via Bluetooth, AUX (using the K-Speak Cascade cable, purchased separately) or USB. K-Speak also features auto echo cancellation, auto noise suppression and auto audio gain and can be charged (via USB or a wireless charger, for example, using the Kramer TBUS-1-KWC or KWC-1 charging spots) to perform for up to 8 hours at a time (depending on battery consumption and the environment).

Get to know your K-Speak



#	Feature	Function
1	+ Volume Button	Press to increase the volume level.
2	- Volume Button	Press to decrease the volume level.
3	Bluetooth Button	When Bluetooth is not connected, press and hold to turn it on. When Bluetooth is connected, press and hold to disconnect the current Bluetooth connection. Flashes blue when waiting for Bluetooth connection and lights blue when paired. Flashes white when signal is enhanced via Bluetooth adapter and lights white when Bluetooth feature is turned off.
4	Microphone Mute Button	Press to mute the microphone input.
5	Call Button	Press to answer / hang-up a call.
6	Power Button	Press and hold for 2 seconds to turn the device ON/OFF. Press and hold for 8 seconds to reset the system. Press shortly to view the charging status (via the 5-step light bar located between the + and - buttons). Flashes red when charging is required (together with a short audio prompt). Flashes white when the device is charging. Lights green when fully charged
7	IN/OUT 3.5mm Mini Jack	Connect to an audio source/acceptor or connect to an additional K-Speak device, using the supplied AUX cable.  When K-Speak power is on, and a second unit is connected, the first connected device is defined as the master device and the second one is the slave. If you connect the AUX cable to the devices before powering them, the first unit powered is the master and the second is the slave. All the device features are enabled on the Master device and disabled on the slave device.
8	USB Type-C Port (5V=2A)	Connect to a USB device (for example, a PC) and/or use to charge the K-Speak.

Mounting K-Speak

To mount the K-Speak, simply place it on a tabletop.

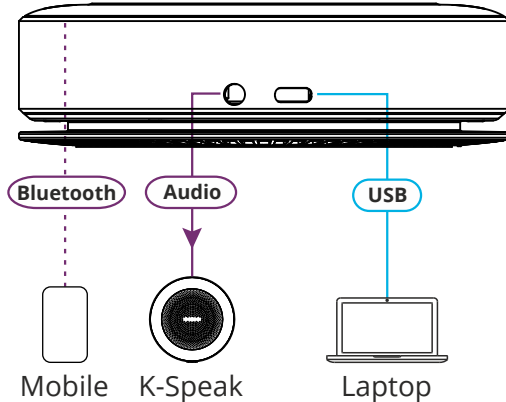


- Ensure that the environment (e.g., maximum ambient temperature, humidity & air flow) is compatible for the device.
- Avoid exposing the product to direct sunlight or any other heat source.
- Keep away from children – product includes small accessories and components.
- Avoid uneven mechanical loading.
- Do not insert any sharp objects into the product.
- Avoid dropping or hitting the product to avoid damaging the product.
- For maintenance, call tech support.

Getting to know your K-Speak

For best results we recommend THWAT you use Kramer cables included in the package.

Connecting K-Speak



Safety Instructions (See www.kramerav.com for updated safety information)



Caution:

- There are no operator serviceable parts inside the unit.

Warning:

- Do not open THE unit. High voltages can cause electrical shock! Servicing by qualified personnel only.

Using Bluetooth

When using Bluetooth, enable Bluetooth on your mobile phone or any other device and connect to K-Speak. The Bluetooth device name is located on the K-Speak rear side.

If required (for example when using a PC), you can connect the USB Bluetooth adapter to a device (within a 3 meter distance) to make sure you get a stable Bluetooth connection.

To do so, connect the USB Bluetooth adapter to the computer (preferably on the side facing the speaker, for better connection). K-Speak connects automatically.



Note that sometimes you need to reconnect to Bluetooth after connecting the adapter. To do so, press the Bluetooth key for 9 seconds and a connection will be established within 30 seconds.

Troubleshooting

The Problem	Possible Cause	The Solution
Unable to turn on the device.	Low or no power.	Charge the device.
Automatic shutdown.	Low or no power.	Charge the device.
No sound.	.	Select the correct input source or adjust the volume.

Technical Specifications

Ports	1 AUX In/Out	On a 3.5mm mini jack
	1 Audio In/Out + 5V/2A charging	On a USB-C connector
	Bluetooth	BT4.2+EDR
Microphone	Type	6-element Microphone array
	Pickup Distance	Up to 5 meters
	Frequency	150Hz~8kHz
	Sensitivity	-38dBV
	S/N Ratio	65dB
Speaker	Maximum Sound Pressure Level	80dB SPL@1m
	Distortion	≤4% @150Hz~16kHz
	Signal-to-noise Ratio	≥75dB@1m
	Frequency Response	150Hz~16kHz
Controls	Buttons	Power, answer/hang up, mute, Bluetooth, volume +, volume -
	Indicator lights	Power, Volume, Bluetooth, Mute, Answer/Hang up
	Modes	Music mode/Call mode (under Bluetooth mode)
Battery	Battery Capacity	7.4V/2200mAh
	Charging Requirement	Wired: 5V, 2A Wireless: 5W
	Battery Life on a Single Charge	Up to 8 hours
Environmental Conditions	Operating Temperature	-5° to +40°C (23° to 104°F)
	Storage Temperature	-20° to +60°C (-4° to 140°F)
	Humidity	10% to 90%, RHL non-condensing
	Altitude	Below 5000 meters
Regulatory Compliance	Safety	CE, FCC
	Environmental	RoHs, WEEE
General	Net Dimensions (Diameter, H)	12cm x 3.5cm (4.7" x 1.4")
	Shipping Dimensions (W, D, H)	15.8cm x 22.2cm x 4.8cm (6.2" x 8.7" x 1.9")
	Net Weight	0.4kg (0.9lbs) approx.
	Shipping Weight	0.71kg (1.6lbs) approx.
Accessories	Included	1 USB Type-C cable, 1 AUX 3.5mm cable, 1 USB dongle

Specifications are subject to change without notice at www.kramerav.com

SIMPLIFIED EU DECLARATION OF CONFORMITY

Hereby, Kramer Electronics declares that the radio equipment type K-Speak is in compliance with Directive 2014/53/EU.

The full text of the EU declaration of conformity is available via the Resources tab on the product page at the following internet address:

<https://www1.kramerav.com/product/k-speak>