



# User Guide

**MODEL:**

**K-Bar**

**Communication Bar**



P/N:



2900-301774QS

Rev:



3



## SAFETY WARNING

Disconnect the unit from the power supply before opening and servicing

For the latest information on our products and a list of Kramer distributors, visit our Web site where updates to these installation instructions may be found.

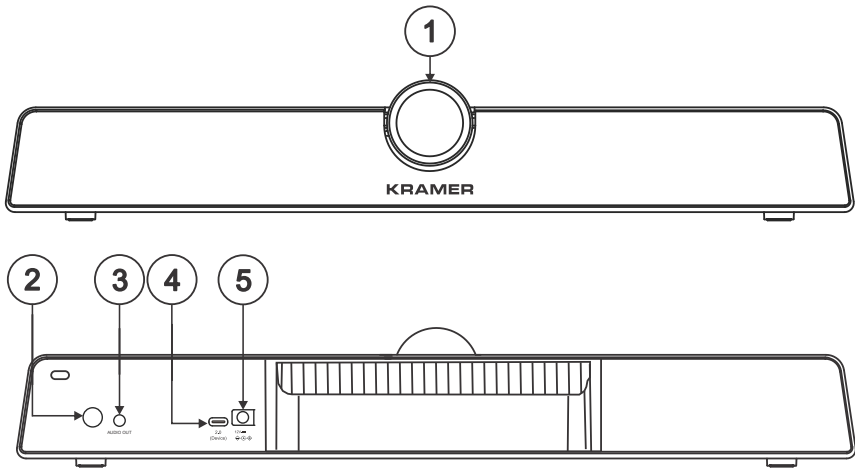
We welcome your questions, comments, and feedback.

[www.kramerAV.com](http://www.kramerAV.com)  
[info@kramerel.com](mailto:info@kramerel.com)

## K-Bar Communication Bar

Congratulations on purchasing your Kramer K-Bar Communication Bar. K-Bar provides a 3 in 1 compact design, including a camera, a speaker, and a microphone. Control K-Bar via the IR remote controller.

### Get to know your K-Bar



#	Feature	Function
1	Camera	High quality Camera.
2	On/OFF Push Button	Press to toggle microphone on/off.
3	AUDIO OUT 3.5mm Mini Jack	Connect to an audio acceptor.
4	DEVICE USB-C 2.0 Port	Connect to a computer.
5	12V	Connect to the power adapter.

### Mounting K-Bar

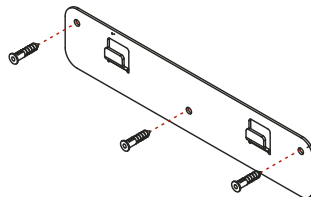
You can place your K-Bar on a surface, mount it on the wall or on top of the display (using the special TV mount, purchased separately).



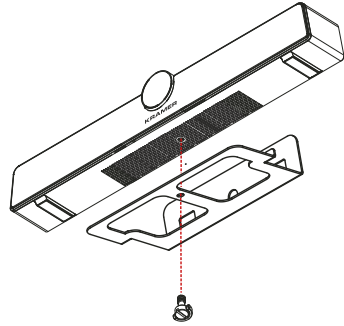
- Ensure that the environment (e.g., dust, maximum ambient temperature, humidity & air flow) is compatible for the device.
- Avoid exposing the product to direct sunlight or any other heat source.
- Keep away from children – product includes small accessories and components.
- Avoid uneven mechanical loading.
- Do not insert any sharp objects into the product.
- Avoid dropping or hitting the product to avoid damaging the product.
- For maintenance, call tech support.

#### To attach K-Bar onto a wall:

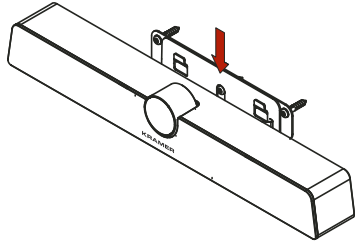
1. Find the correct location on the wall.
2. In the desired location, Drill 3 holes (using a 6mm drill-bit).
3. Attach the wall bracket to the wall using the 3 supplied screws.



4. Attach the device bracket to the K-Bar using smaller size screw.

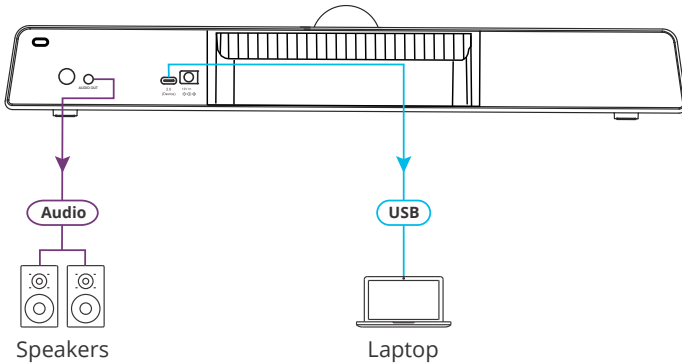


5. Slide the fixed device bracket onto the wall bracket.



### Connecting the K-Bar

Always switch OFF the power on each device before connecting it to your K-Bar.



Connect the power cord to the K-Bar and plug it into the mains electricity.



Safety Instructions (See [www.kramerav.com](http://www.kramerav.com) for updated safety information)

**Caution:**

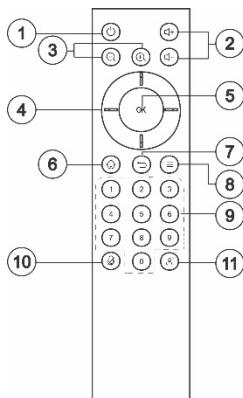
- There are no operator serviceable parts inside the unit.

**Warning:**

- Use only the power cord that is supplied with the unit.
- Disconnect the power and unplug the unit from the wall before installing.
- Do not open the unit. High voltages can cause electrical shock! Servicing by qualified personnel only.
- To ensure continuous risk protection, replace fuses only according to the rating specified on the product label which located on the bottom of the unit.

## Controlling K-Bar

You can operate K-Bar via the remote IR, or via your PC, as follows:



#	Feature	Function
1	Power Button	N/A (no function)
2	Volume Button	Press to increase/decrease volume level.
3	Zoom Button	Press zoom camera in or out.
4	Directional keys	Press, after zooming, to move the camera direction.
5	OK Button	Press to restore camera image to original settings.
6	Home Button	N/A (no function)
7	Return Button	N/A (no function)
8	Menu Button	N/A (no function)
9	Present positions	1. Adjust the image to the desired position using digital zoom or directional keys, press and hold the corresponding number key for 3 seconds to save the current image as a preset position. 2. After saving, press the number key briefly to switch to the preset position.
10	Mute Button	Press to turn Mic on or off.
11	Auto framing	Press to enable/disable auto-framing feature.

## Technical Specifications

Ports	1 USB-C 2.0	On a USB-C connector
	AUDIO OUT	On a 3.5mm mini jack
Camera	Pixel	12M
	Max. Field of View (FOV)	120° (D)
	Adjustable Angle (Manual)	±15° (Up/Down)
	Focus Mode	Fixed focus
	Focus Distance	2m
	Resolution and Frame Rate	H.264/MJPEG: 3840x2160; 2560x1440; 1920x1080; 1280x720; 1024x576; 960x540; 800x600; 640x480; 640x360; 480x270; 352x288; 320x240 YUY2: 640x480; 640x360; 480x270; 352x288; 320x240
	Output Format	MJPEG/YUY2/H.264
Sound Reinforcement	Sound Channel 1.0	Sound Channel 1.0
	Output Power 1x8W	Output Power 1x8W
Microphone	Quantity	6
	Voice Pickup Distance	Up to 8 meters
Controls		Remote control
Power	Consumption	12V DC, 1A max.
	Source	12V DC, 2A
	Standby Power	≤0.5W
Environmental Conditions	Operating Temperature	0° to +40°C (32° to 104°F)
	Storage Temperature	-20° to +60°C (-4° to 140°F)
	Humidity	10% to 90%, RHL non-condensing
	Altitude	Below 5000 meters
Regulatory Compliance	Safety	CE, FCC
	Environmental	RoHS WEEE
Enclosure	Type	Aluminum and plastic
General	Net Dimensions (W, D, H)	46cm x 9.7cm x 7.3cm (18.1" x 3.8" x 2.9")
	Shipping Dimensions (W, D, H)	53cm x 16.5cm x 15.7cm (20.8" x 6.5" x 6.2")
	Net Weight	1.05kg (2.3lbs) approx.
	Shipping Weight	2.3kg (5.1lbs) approx.
Accessories	Included	1 USB-C cable, remote control, power cord and adapter, lens cover, wall bracket kit, screws set

Specifications are subject to change without notice at [www.kramerav.com](http://www.kramerav.com)