



Scan for full manual

FC-26 Quick Start Guide

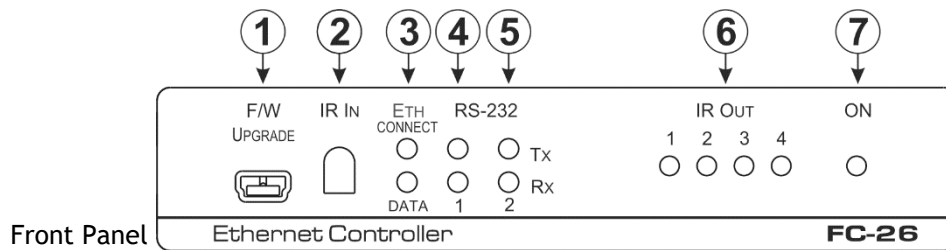
This guide helps you install and use your FC-26 for the first time.

Go to www.kramerav.com/downloads/FC-26 to download the latest user manual and check if firmware upgrades are available.

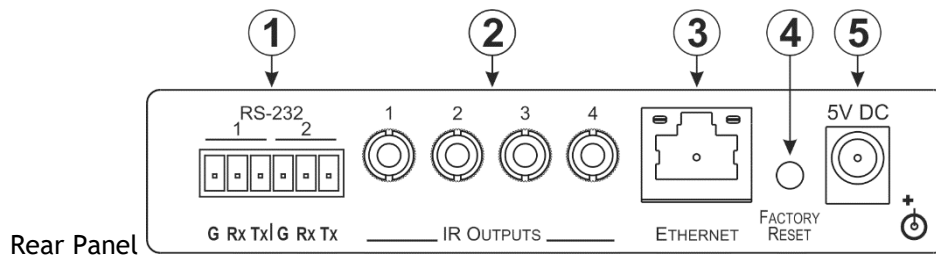
Step 1: Check what's in the box

- ✓ FC-26 Ethernet Controller
- ✓ 1 IR Cable (C-A35M/IRE-10)
- ✓ 1 Quick start guide
- ✓ 1 Power adapter (5V DC)
- ✓ 4 Rubber feet

Step 2: Get to know your FC-26



#	Feature	Function	
1	<i>F/W UPGRADE</i> Mini USB Connector	Connect to a PC to perform a firmware upgrade	
2	<i>IR IN</i> Sensor	Sensor for IR learning	
3	<i>ETH</i> LEDs	<i>CONNECT</i>	Lights orange when the Ethernet port is connected
		<i>DATA</i>	Flashes green when data is transferred over the Ethernet link
4	<i>RS-232</i> LEDs	<i>TX 1</i>	Lights green when data is transmitted on serial port 1
		<i>RX 1</i>	Lights red when data is received on serial port 1
5		<i>TX 2</i>	Lights green when data is transmitted on serial port 2
		<i>RX 2</i>	Lights red when data is received on serial port 2
6	<i>IR OUT 1 ~ 4</i> LEDs	The associated LED lights green when the relevant IR port transmits data. ⓘ When IR learning is in progress, the four IR Out LEDs light and the FC-26 is unavailable for normal operation	
7	<i>ON</i> LED	Lights green when the unit is on	

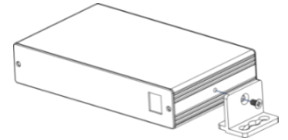


#	Feature	Function	
1	<i>RS-232</i> 6-pin Terminal Block	1	Connect to the first RS-232 controlled device
		2	Connect to the second RS-232 controlled device
2	<i>IR OUTPUTS 1 ~ 4</i> 3.5mm Mini Jacks	Connect to IR blasters/emitters using cables up to 80 m (260ft) long	
3	<i>ETHERNET</i> RJ-45 Connector	Connect to a PC or other controller directly or via a LAN	
4	<i>FACTORY RESET</i> Button	Press and hold while power-cycling the device to reset to factory default parameters	
5	<i>5V DC</i> Connector	Connect to the 5V DC power supply, center pin positive. Not needed when the device is supplied power by a PoE provider	

Step 3: Mount FC-26

Install FC-26 using one of the following methods:

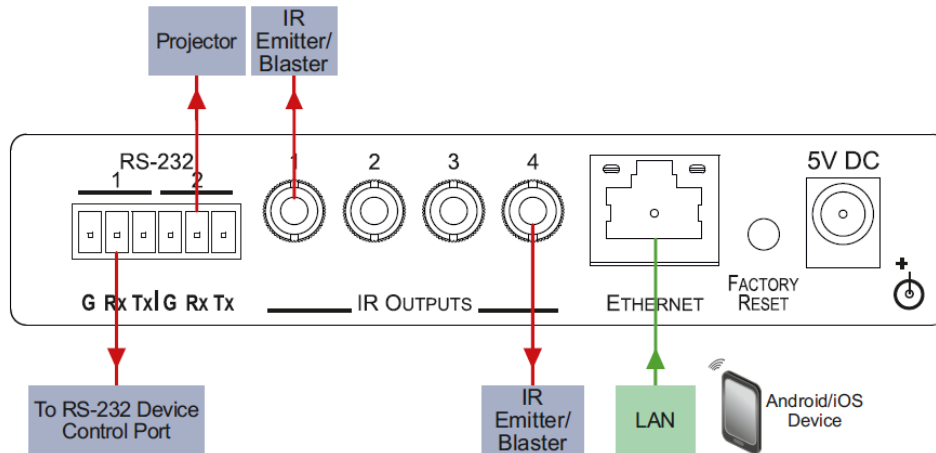
- Attach the rubber feet and place the unit on a flat surface.
- Fasten a bracket on each side of the unit and attach it to a flat surface (see www.kramerav.com/downloads/FC-26).
- Mount the unit in a rack using the recommended rack adapter (see www.kramerav.com/product/FC-26).



- Ensure that the environment (e.g., maximum ambient temperature & air flow) is compatible for the device.
- Avoid uneven mechanical loading.
- Appropriate consideration of equipment nameplate ratings should be used for avoiding overloading of the circuits.
- Reliable earthing of rack-mounted equipment should be maintained.

Step 4: Connect inputs and outputs

Always switch OFF the power on each device before connecting it to your FC-26.



To achieve specified extension distances, use the recommended Kramer cables available at www.kramerav.com/product/FC-26. Using third-party cables may cause damage!

Step 5: Connect power

Connect the power cord to FC-26 and plug it into the mains electricity.

Safety Instructions (See www.kramerav.com for updated safety information)

Caution:

- For products with relay terminals and GPIO ports, please refer to the permitted rating for an external connection, located next to the terminal or in the User Manual.
- There are no operator serviceable parts inside the unit.

Warning:

- Use only the power cord that is supplied with the unit.
- Disconnect the power and unplug the unit from the wall before installing.

Step 6: Operate FC-26



The FC-26 is dispatched from the factory with the DHCP enabled and a random IP address. This means that if the device is connected to a LAN, you must identify the IP address of the FC-26 in order to connect to it. This can be done by using K-LAN Configurator to discover the IP address of the FC-26. This is available for download from our website at www.kramerav.com.

To browse the FC-26 Web pages; upon taking the device out of the box, use the default host name "FC-26-xxxx", where xxxx are the last four digits of the serial number of the device.

To reset FC-26 to its factory default settings:

1. Turn off the power to the device.
2. Press and hold the Reset button on the front panel.
3. Turn on the power to the device while holding down the Reset button for a few seconds.
4. Release the button.

The device is reset to the factory default settings.



If you perform a factory reset, DHCP is disabled and the IP address of the device is set to 192.168.1.39.

To configure and operate the FC-26:

1. Using the embedded Web pages, configure the Ethernet controller:
 - Set DHCP or assign a static IP address
 - Associate IP port(s) with serial port(s)
 - Configure the serial port parameters
2. Configure virtual port(s) on the K-Touch control device/PC.
3. Configure Ethernet connection(s) on the K-Touch control device/PC.
4. Switch port(s) on the Ethernet Controller.