



Scan for full manual

DIP-20 Quick Start Guide

This guide helps you install and use your DIP-20 for the first time.

Go to www.kramerav.com/downloads/DIP-20 to download the latest user manual and check if firmware upgrades are available.

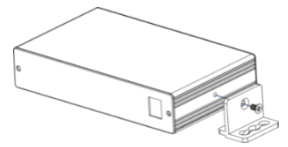
Step 1: Check what's in the box

- ✓ DIP-20 Automatic Video Switcher
- ✓ 1 Bracket set
- ✓ 4 Rubber feet
- ✓ 1 Power adapter (48V)
- ✓ 1 Quick start guide

Step 2: Mount DIP-20

Install **DIP-20** using one of the following methods:

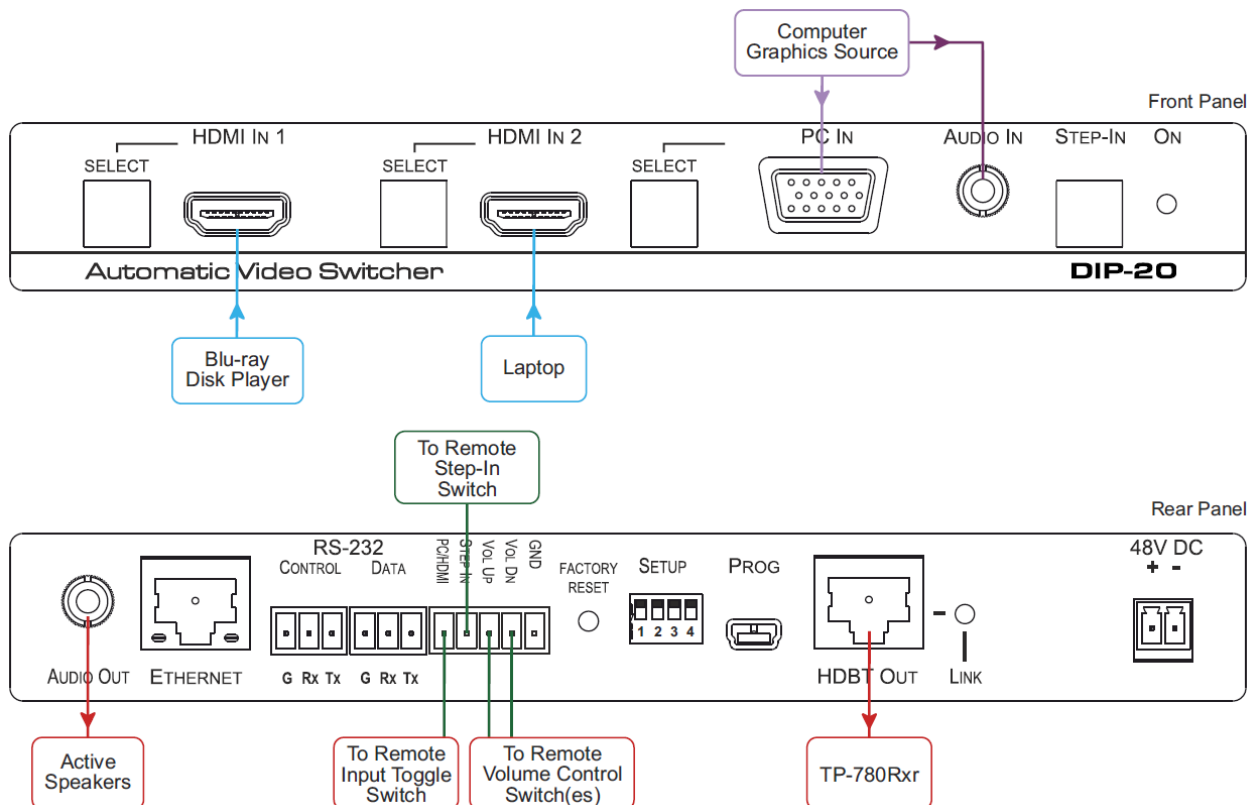
- Attach the rubber feet and place the unit on a flat surface.
- Fasten a bracket (included) on each side of the unit and attach it to a flat surface (see www.kramerav.com/downloads/DIP-20).
- Mount the unit in a rack using the recommended rack adapter (see www.kramerav.com/product/DIP-20).



- Ensure that the environment (e.g., maximum ambient temperature & air flow) is compatible for the device.
- Avoid uneven mechanical loading.
- Appropriate consideration of equipment nameplate ratings should be used for avoiding overloading of the circuits.
- Reliable earthing of rack-mounted equipment should be maintained.
- Maximum mounting height for the device is 2 meters.

Step 3: Connect inputs and outputs

Always switch OFF the power on each device before connecting it to your **DIP-20**. For best results, we recommend that you always use Kramer high-performance cables to connect AV equipment to the **DIP-20**.



Step 4: Set DIP-switches

Video Switching Selection

DIP-switch 1	DIP-switch 2	Video Input Selection
Off (up)	Off (up)	Automatic—Last connected. Where more than one source is connected the last one connected has priority
Off (up)	On (down)	Automatic—Priority selection. HDMI 1 → HDMI 2 → PC IN (default, high to low priority)
On (down)	Off (up)	Manual
On (down)	On (down)	Manual

Audio Switching Selection

DIP-switch 3	DIP-switch 4	Audio Input Selection
Off (up)	Off (up)	Automatic—Priority selection. Embedded HDMI™ → analog Audio In (high to low priority)
Off (up)	On (down)	Automatic—Priority selection. Analog Audio In → embedded HDMI (high to low priority)
On (down)	Off (up)	Embedded HDMI
On (down)	On (down)	Analog Audio In

The terms HDMI, HDMI High-Definition Multimedia Interface, and the HDMI Logo are trademarks or registered trademarks of HDMI Licensing Administrator, Inc.

Step 5: Connect power

Connect the power cord to **DIP-20** and plug it into the mains electricity.

Safety Instructions (See www.kramerav.com for updated safety information)

Caution:

- For products with relay terminals and GPIO ports, please refer to the permitted rating for an external connection, located next to the terminal or in the User Manual.
- There are no operator serviceable parts inside the unit.

Warning:

- Use only the power cord that is supplied with the unit.
- Disconnect the power and unplug the unit from the wall before installing.

Step 6: Operate DIP-20

Default IP Parameters

Parameter	Values	Default
Device Name	Any alphanumeric string up to 14 chars (can include hyphen, but not at the beginning or end)	KRAMER_
DHCP	ON/OFF	OFF
IP Address	Any valid IP address	192.168.1.39
Mask	Any valid network mask	255.255.0.0
Gateway	Any valid gateway address	192.168.0.1
TCP Port	0 to 65535	5000
UDP Port	0 to 65535	50000

Default RS-232 Communication Parameters

Parameter	Values
Baud Rate	115200
Data Bits	1
Stop Bits	1
Parity	None
Command Format	ASCII

Default Web Pages Logon Authentication

Parameter	Values
Name	Admin
Password	Admin



You can operate the **DIP-20** via the front panel buttons, remote P3000 commands, or by using a Web browser to access the built in Web pages.