



Scan for full manual

## 900XL Quick Start Guide

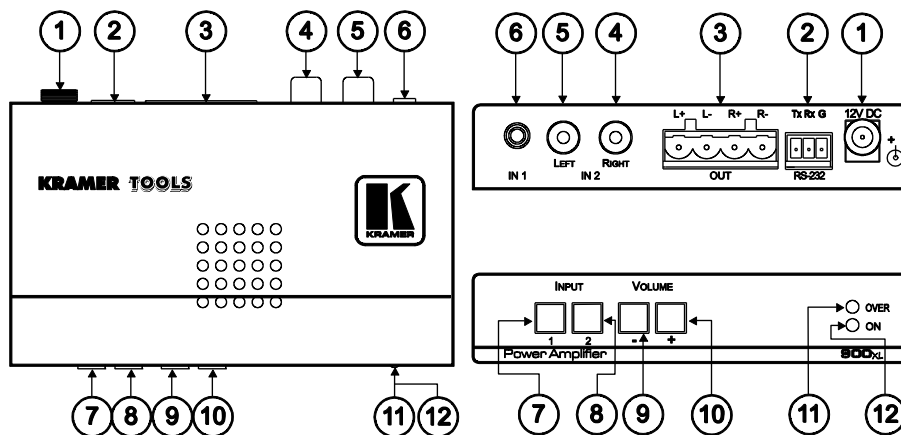
This guide helps you install and use your 900XL for the first time.

Go to [www.kramerav.com/downloads/900XL](http://www.kramerav.com/downloads/900XL) to download the latest user manual and check if firmware upgrades are available.

### Step 1: Check what's in the box

- ✓ 900XL Stereo Power Amplifier
- ✓ 4 Rubber feet
- ✓ 1 Bracket set
- ✓ Power adapter (12V DC)
- ✓ 1 Quick start guide

### Step 2: Get to know your 900XL

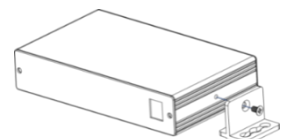


#	Feature	Function
1	12V DC Connector	+12V DC for powering the unit
2	RS-232 Tx Rx G Terminal Block Connector	Connect to PC
3	L+ L- R+ R- OUT Terminal Block Connector	Speaker output
4	IN 2 RIGHT RCA Connector	Connect to stereo audio right input of source 2
5	IN 2 LEFT RCA Connector	Connect to stereo audio left input of source 2
6	IN 1 3.5mm Mini-jack Connector	Connect to stereo audio input of source 1
7	INPUT 1 Button	Selects the input from audio source 1
8	INPUT 2 Button	Selects the input from audio source 2
9	VOLUME - Button	Decreases output volume
10	VOLUME + Button	Increases output volume
11	OVER LED	Illuminates red when device is overheating and mutes output
12	ON LED	Illuminates green when receiving power

### Step 3: Mount 900XL

Install 900XL using one of the following methods:

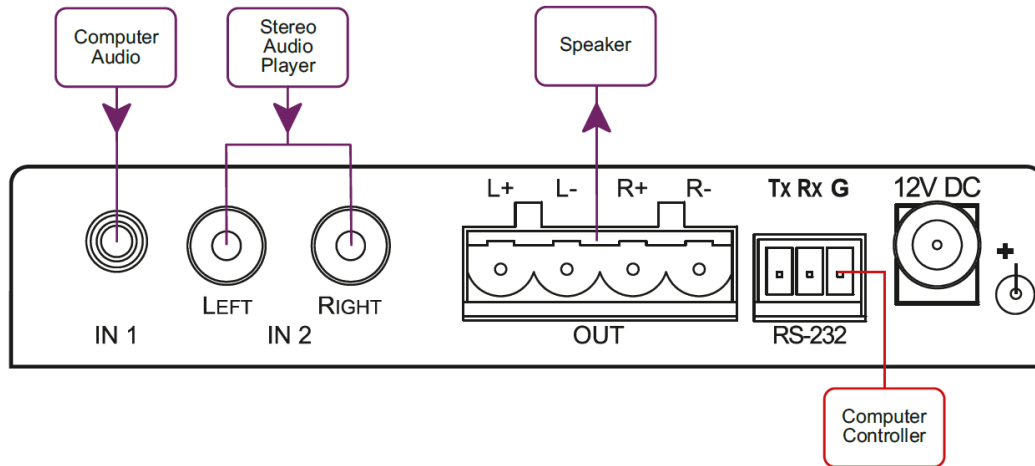
- Attach the rubber feet and place the unit on a flat surface.
- Fasten a bracket (included) on each side of the unit and attach it to a flat surface (see [www.kramerav.com/downloads/900XL](http://www.kramerav.com/downloads/900XL)).
- Mount the unit in a rack using the recommended rack adapter (see [www.kramerav.com/product/900XL](http://www.kramerav.com/product/900XL)).



- Ensure that the environment (e.g., maximum ambient temperature & air flow) is compatible for the device.
- Avoid uneven mechanical loading.
- Appropriate consideration of equipment nameplate ratings should be used for avoiding overloading of the circuits.
- Reliable earthing of rack-mounted equipment should be maintained.

## Step 4: Connect inputs and outputs

Always switch OFF the power on each device before connecting it to your 900XL.



To achieve specified extension distances, use the recommended Kramer cables available at [www.kramerav.com/product/900XL](http://www.kramerav.com/product/900XL). Using third-party cables may cause damage!

## Step 5: Connect power

Connect the power cord to 900XL and plug it into the mains electricity.

Safety Instructions (See [www.kramerav.com](http://www.kramerav.com) for updated safety information)



### Caution:

- For products with relay terminals and GPIO ports, please refer to the permitted rating for an external connection, located next to the terminal or in the User Manual.
- There are no operator serviceable parts inside the unit.

### Warning:

- Use only the power cord that is supplied with the unit.
- Disconnect the power and unplug the unit from the wall before installing.

## Step 6: Operate 900XL

You can operate your 900XL using:

- The front panel buttons
- RS-232 serial commands transmitted by a PC, touch screen system, or other serial controller

### Using the Front Panel Buttons

To operate the 900XL using the front panel buttons:

1. Press INPUT 1 button or INPUT 2 button to select audio input source.
2. Press VOLUME + and – buttons to adjust the output volume to the speakers.



In the case of output distortion that cannot be corrected using the volume controls, try switching the LEVEL switch on the underside of the unit from H to L and alter the output using the volume control.

### Using Serial Commands

To operate 900XL using serial commands, you need to install Kramer's control software (See [www.kramerav.com](http://www.kramerav.com) to Download control software)