

**Kramer Electronics, Ltd.**



# **USER MANUAL**

**Model:**

**K-POD301**

*Podium Table Bus*

## Contents

<b>1</b>	<b>Introduction</b>	<b>1</b>
<b>2</b>	<b>Getting Started</b>	<b>1</b>
<b>3</b>	<b>Overview</b>	<b>1</b>
<b>4</b>	<b>Your K-POD301</b>	<b>2</b>
<b>5</b>	<b>Installing the K-POD301 Podium Table Bus</b>	<b>3</b>
<b>6</b>	<b>Technical Specifications</b>	<b>4</b>

## Figures

Figure 1: K-POD301 Podium Table Bus Features	2
--	---

## Tables

Table 1: K-POD301 Podium Table Bus Features	3
Table 2: Technical Specifications of the K-POD301	4

## 1 Introduction

Welcome to Kramer Electronics! Since 1981, Kramer Electronics has been providing a world of unique, creative, and affordable solutions to the vast range of problems that confront the video, audio, presentation, and broadcasting professional on a daily basis. In recent years, we have redesigned and upgraded most of our line, making the best even better! Our 1,000-plus different models now appear in 11 groups<sup>1</sup> that are clearly defined by function.

Thank you for purchasing the Kramer **K-POD301** On Table Bus, which is ideal for boardrooms, conference and training rooms!

The package includes the following items:

- **K-POD301** Podium Table Bus
- Self-locking ties
- This user manual<sup>2</sup>

## 2 Getting Started

We recommend that you:

- Unpack the equipment carefully and save the original box and packaging materials for possible future shipment
- Review the contents of this user manual
- Use Kramer high-performance, high-resolution cables<sup>3</sup>

## 3 Overview

The Kramer **K-POD301** is a high-quality connection box for boardrooms and conference rooms, especially designed for mounting a 3 gang USA Kramer wall plate device on podiums or lecterns. The **K-POD301** is sturdy, cost-effective and easy to install.

The **K-POD301** includes:

- A removable insert for routing cables through the rear
- Two openings on the underside for routing cables from below

---

1 GROUP 1: Distribution Amplifiers; GROUP 2: Switchers and Matrix Switchers; GROUP 3: Control Systems; GROUP 4: Format/Standards Converters; GROUP 5: Range Extenders and Repeaters; GROUP 6: Specialty AV Products; GROUP 7: Scan Converters and Scalers; GROUP 8: Cables and Connectors; GROUP 9: Room Connectivity; GROUP 10: Accessories and Rack Adapters; GROUP 11: Sierra Products

2 Download up-to-date Kramer user manuals from our Web site: <http://www.kramerelectronics.com>

3 The complete list of Kramer cables is on our Web site at <http://www.kramerelectronics.com>

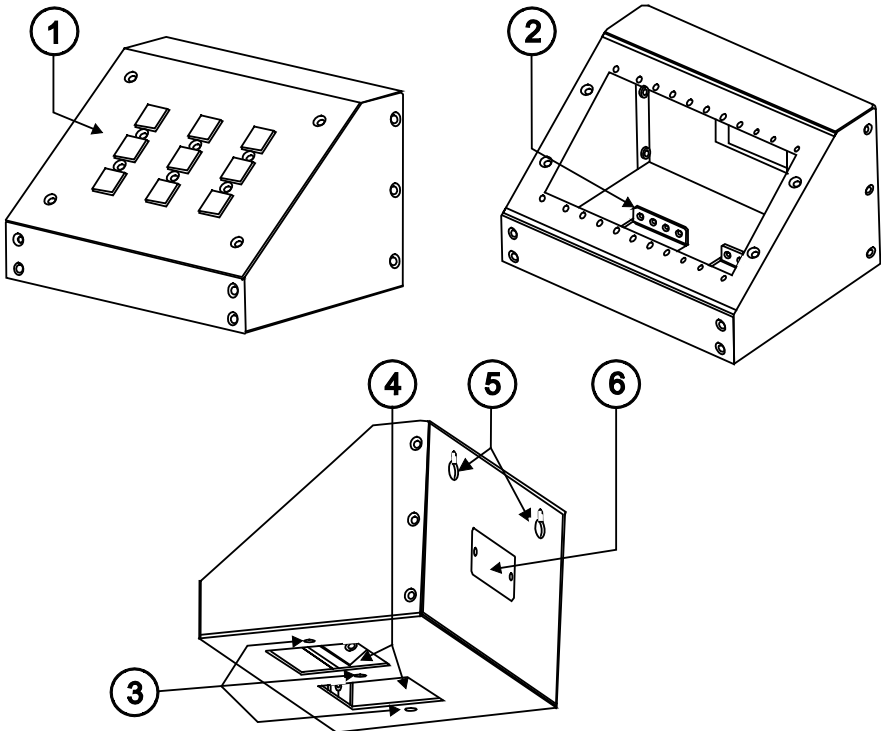
- Two 4-hole tie bars for securing cables
- Two keyholes for wall mounting

To achieve the best performance:

- Use only good quality connection cables<sup>1</sup> to avoid interference, deterioration in signal quality due to poor matching, and elevated noise levels (often associated with low quality cables)
- Avoid interference from neighboring electrical appliances that may adversely influence signal quality and position the **K-POD301** away from moisture, excessive sunlight, and dust

#### 4 Your K-POD301

[Figure 1](#) and [Table 1](#) define the unit.



*Figure 1: K-POD301 Podium Table Bus Features*

<sup>1</sup> Available from Kramer Electronics on our Web site at <http://www.kramerelectronics.com>

Table 1: K-POD301 Podium Table Bus Features

#	Feature	Function
1	Front Panel	3 Gang USA panel for mounting the <b>RC-3TB</b> remote controls (optional)
2	Tie Hole Bars	2 four-hole bars for attaching cables
3	Mounting Holes	3 holes for mounting the unit on a flat surface (table, podium, shelf)
4	Underside Openings	2 openings for routing cables
5	Keyholes	2 openings for mounting the unit to screws on the wall
6	Single Slot Insert	1 removable cover for routing cables through the rear of the box

## 5 Installing the K-POD301 Podium Table Bus

To install the **K-POD301** on a table or podium, perform the following steps (see [Figure 1](#)):

1. Unscrew the front panel (Fig. 1, #1) if installed.
2. Locate the **K-POD301** on the table or podium in the place you want it mounted.
3. Trace the outline of the underside openings (Fig. 1, #4) on the table and using a saber saw, cut out openings in the table for routing cables.
4. Screw the **K-POD301** to the surface of the table using three screws inserted through the underside mounting holes (Fig. 1, #3).
5. Route the cables from underneath through the **K-POD301**.
6. Connect the cables to the back of the front panel device.
7. Secure the cables to the tie holes (Fig. 1, #2) using the included self-locking ties. Do not secure the cables too tightly or too loosely. Leave a small amount of slack.
8. Screw the front panel (Fig. 1, #1) to the mounted **K-POD301** with the screws removed in Step 1.

To install the **K-POD301** on the wall, perform the following steps:

1. Unscrew the front panel (Fig. 1, #1) if installed.
2. Unscrew the insert plate (Fig. 1, #6) from the back of the **K-POD301**.
3. Locate the **K-POD301** on the wall in the place you want it mounted.
4. Trace the outline of the back opening (Fig. 1, #6) and the keyholes (Fig. 1, #5) on the wall.
5. Using a saw, cut an opening in the wall to route the cables.
6. Screw a screw into the top of each keyhole trace.
7. Route the cables through the wall into the back of the **K-POD301**.
8. Mount the **K-POD301** on the wall using the two screws inserted through the keyholes in the back of the unit.

9. Connect the cables to the back of the front panel device.
10. Secure the cables to the tie holes (Fig. 1, #2) using the included self-locking ties. Do not secure the cables too tightly or too loosely. Leave a small amount of slack.
11. Screw the front panel (Fig. 1, #1) to the mounted **K-POD301** with the screws removed in Step 1.

After the unit is connected to mains power and the proper cables, **K-POD301** is ready for use.

## 6 Technical Specifications

**K-POD301** technical specifications are shown in [Table 2](#):

*Table 2: Technical Specifications<sup>1</sup> of the K-POD301*

DIMENSIONS:	162mm x 121mm x 101mm (6.4" x 4.8" x 4.0") W, D, H
WEIGHT:	1kg (2.2lbs) approx.
ACCESSORIES:	Self locking ties
OPTIONS:	RC-3TB remote control

---

<sup>1</sup> Specifications are subject to change without notice

---

## LIMITED WARRANTY

Kramer Electronics (hereafter *Kramer*) warrants this product free from defects in material and workmanship under the following terms.

### HOW LONG IS THE WARRANTY

Labor and parts are warranted for seven years from the date of the first customer purchase.

### WHO IS PROTECTED?

Only the first purchase customer may enforce this warranty.

### WHAT IS COVERED AND WHAT IS NOT COVERED

Except as below, this warranty covers all defects in material or workmanship in this product. The following are not covered by the warranty:

1. Any product which is not distributed by Kramer, or which is not purchased from an authorized Kramer dealer. If you are uncertain as to whether a dealer is authorized, please contact Kramer at one of the agents listed in the Web site [www.kramerelectronics.com](http://www.kramerelectronics.com).
2. Any product, on which the serial number has been defaced, modified or removed, or on which the WARRANTY VOID IF TAMPERED sticker has been torn, reattached, removed or otherwise interfered with.
3. Damage, deterioration or malfunction resulting from:
  - i) Accident, misuse, abuse, neglect, fire, water, lightning or other acts of nature
  - ii) Product modification, or failure to follow instructions supplied with the product
  - iii) Repair or attempted repair by anyone not authorized by Kramer
  - iv) Any shipment of the product (claims must be presented to the carrier)
  - v) Removal or installation of the product
  - vi) Any other cause, which does not relate to a product defect
  - vii) Cartons, equipment enclosures, cables or accessories used in conjunction with the product

### WHAT WE WILL PAY FOR AND WHAT WE WILL NOT PAY FOR

We will pay labor and material expenses for covered items. We will not pay for the following:

1. Removal or installations charges.
2. Costs of initial technical adjustments (set-up), including adjustment of user controls or programming. These costs are the responsibility of the Kramer dealer from whom the product was purchased.
3. Shipping charges.

### HOW YOU CAN GET WARRANTY SERVICE

1. To obtain service on you product, you must take or ship it prepaid to any authorized Kramer service center.
2. Whenever warranty service is required, the original dated invoice (or a copy) must be presented as proof of warranty coverage, and should be included in any shipment of the product. Please also include in any mailing a contact name, company, address, and a description of the problem(s).
3. For the name of the nearest Kramer authorized service center, consult your authorized dealer.

### LIMITATION OF IMPLIED WARRANTIES

All implied warranties, including warranties of merchantability and fitness for a particular purpose, are limited in duration to the length of this warranty.

### EXCLUSION OF DAMAGES

The liability of Kramer for any effective products is limited to the repair or replacement of the product at our option. Kramer shall not be liable for:

1. Damage to other property caused by defects in this product, damages based upon inconvenience, loss of use of the product, loss of time, commercial loss; or;
2. Any other damages, whether incidental, consequential or otherwise. Some countries may not allow limitations on how long an implied warranty lasts and/or do not allow the exclusion or limitation of incidental or consequential damages, so the above limitations and exclusions may not apply to you.

This warranty gives you specific legal rights, and you may also have other rights, which vary from place to place.

**NOTE:** All products returned to Kramer for service must have prior approval. This may be obtained from your dealer.

This equipment has been tested to determine compliance with the requirements of:

EN-50081:	"Electromagnetic compatibility (EMC); generic emission standard. Part 1: Residential, commercial and light industry"
EN-50082:	"Electromagnetic compatibility (EMC) generic immunity standard. Part 1: Residential, commercial and light industry environment".
CFR-47:	FCC* Rules and Regulations: Part 15: "Radio frequency devices Subpart B Unintentional radiators"

### CAUTION!

⊗ Servicing the machines can only be done by an authorized Kramer technician. Any user who makes changes or modifications to the unit without the expressed approval of the manufacturer will void user authority to operate the equipment.

⊗ Use the supplied DC power supply to feed power to the machine.

⊗ Please use recommended interconnection cables to connect the machine to other components.

\* FCC and CE approved using STP cable (for twisted pair products)



---

**For the latest information on our products and a list of Kramer distributors, visit our Web site: [www.kramerelectronics.com](http://www.kramerelectronics.com) where updates to this user manual may be found. We welcome your questions, comments and feedback.**



**Caution**

**Safety Warning:**

Disconnect the unit from the power supply before opening/servicing.



---

**Kramer Electronics, Ltd.**

Web site: [www.kramerelectronics.com](http://www.kramerelectronics.com)

E-mail: [info@kramerel.com](mailto:info@kramerel.com)

P/N: 2900-000614 REV 1