

CP-AOCH

Active Optical High-Speed
HDMI Cable

PLENUM RATED



Kramer's AOCH is an Active Optical HDMI Cable running 4K@60Hz 4:2:0 UHD, 4K @30Hz 4:4:4, over longer distances up to 100 meter (328 ft), in a simple & practical way.

The AOCH cables are thinner, lighter and more flexible than copper or even standard optical cables while providing transparent EDID and HDCP support without signal attenuation and also provide reduced risk of EMI and RFI interference which provides a perfect solution for critical AV installations that demand the highest signal integrity.

Features

- Video Resolution – 4K@60Hz 4:2:0 UHD, 4K @30Hz 4:4:4 8Bit, full HD, 3D Deep Color across all lengths
- High Data Transfer Rate – Up to 10.2Gbps
- Embedded Audio – PCM 8-channel, Dolby Digital True HD and DTS-HD Master Audio
- High-quality connectors – 24K gold-plated, corrosion-resistant and best possible connectivity
- EMI & RFI Immunity
- No External Power – Powers the active units via the HDMI connector
- Thin Construction – 3.4mm (0.13”) diameter
- Small Bending Radius – Only 6mm (0.24”)
- Jacket Construction – UL CMP-OF (Plenum)
- RoHS 2011/65/EU compliant
- Varied Selection of Lengths – Available in versions from 10 to 100m (33 to 328ft)

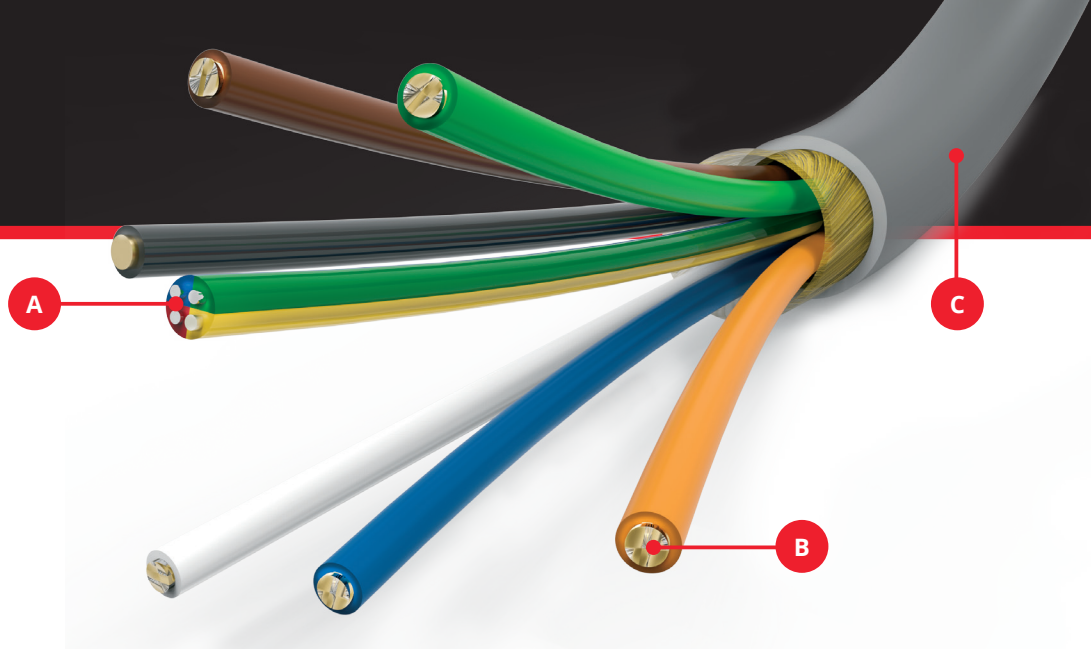
In the Box

- 1x active Optical High-Speed HDMI Cable
- 1x AD-HM/HF/UAM – USB to HDMI power injector
- 1x User manual

x.v.Color

4K60
4:2:0
HDCP 2.2





CABLE SPECIFICATIONS

AUDIO & VIDEO SPECIFICATIONS

Video Resolution	4K @60Hz 4:2:0, 4K@30Hz 4:4:4, 8Bit, full HD, 3D Deep Color
Data Rate (max)	Up to 10.2 Gbps
Supported Color Spaces	RGB, YCbCr, xvYCC, Adobe sRGB, sYCC601
Embedded Audio	Dolby Digital Plus, Dolby TrueHD, DTS-HD Master Audio™, DVD Audio, SA-CD
HDMI Support	HDCP 2.2, EDID, CEC

PHYSICAL SPECIFICATIONS

Connector-1 (source end)	Male HDMI Type A, 24K gold-plated
Connector-2 (display end)	Male HDMI Type A, 24K gold-plated
Cable Structure	Hybrid Optical Fiber Cable
Fiber Optic A	Multi-mode fiber
Conductors B	6x28AWG (7/0.127mm)
Outer Sheath Material C	Plenum
Outer Sheath Color	Gray
Outer Sheath Diameter	3.4mm
Cable Bending Radius	6mm
Connector Max. Pulling Strength	15lbs
Max. Compression Load Resistance	500N (50kg, 110lbs)

POWER SPECIFICATIONS

Power Supply	No external power supply is needed (draws current from the source) If source power is not sufficient, connect the AD-HM/HF/UAM – USB to HDMI power injector to an external power.
Power Consumption	0.25W max

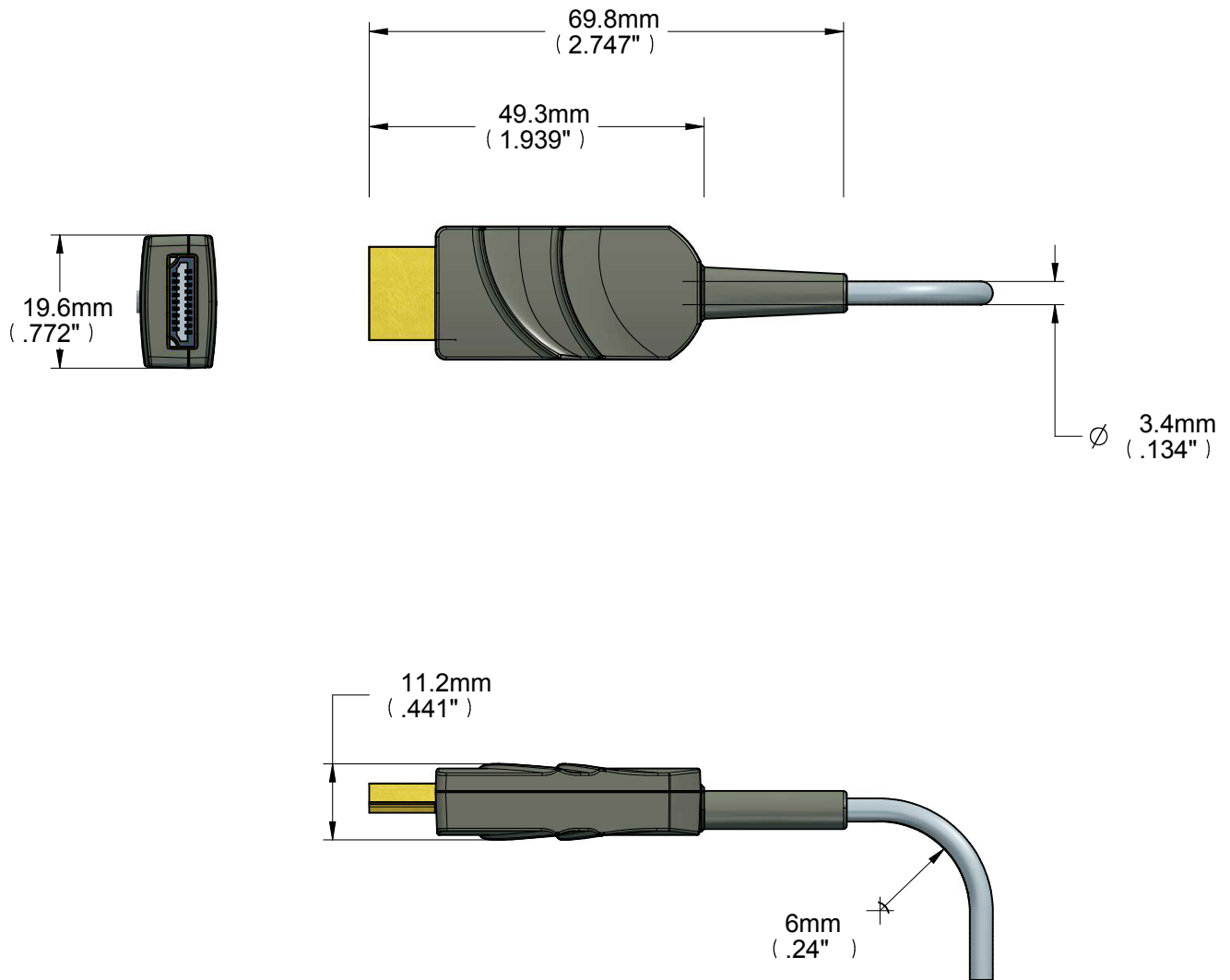
ENVIRONMENTAL SPECIFICATION

Operating Temperature	+32~+122°F (0~+50°C)
Storage Temperature	-22~+122°F (0~+50°C)
Operating Humidity	5 ~ 85%

REGULATORY

Plenum (compliance)	CMP-OF
RoHS	2011/65/ EU

OUTLINE DIMENSIONS





ORDERING INFORMATION

Plenum Rated

MODEL	DESCRIPTION	LENGTH	GROSS WEIGHT
CP-AOCH-33	Active Optical High-Speed HDMI Cable – Plenum rated	33ft/10.00m	0.97lbs/0.44kg
CP-AOCH-50	Active Optical High-Speed HDMI Cable – Plenum rated	50ft/15.20m	0.97lbs/0.44kg
CP-AOCH-66	Active Optical High-Speed HDMI Cable – Plenum rated	66ft/20.00m	1.17lbs/0.53kg
CP-AOCH-98	Active Optical High-Speed HDMI Cable – Plenum rated	98ft/30.00m	1.59lbs/0.72kg
CP-AOCH-131	Active Optical High-Speed HDMI Cable – Plenum rated	131ft/40.00m	1.98lbs/0.90kg
CP-AOCH-164	Active Optical High-Speed HDMI Cable – Plenum rated	164ft/50.00m	2.54lbs/1.15kg
CP-AOCH-197	Active Optical High-Speed HDMI Cable – Plenum rated	197ft/60.00m	2.91lbs/1.32kg
CP-AOCH-230	Active Optical High-Speed HDMI Cable – Plenum rated	230ft/70.00m	3.33lbs/1.51kg
CP-AOCH-262	Active Optical High-Speed HDMI Cable – Plenum rated	262ft/80.00m	3.73lbs/1.69kg
CP-AOCH-295	Active Optical High-Speed HDMI Cable – Plenum rated	295ft/90.00m	4.12lbs/1.87kg
CP-AOCH-328	Active Optical High-Speed HDMI Cable – Plenum rated	328ft/100.00m	4.52lbs/2.05kg

